

Pipe Fittings – Forged Steel for Anhydrous Ammonia



Cross	
Part No.	Size
XHCR050	1/2"
XHCR075	3/4"
XHCR100	1"
XHCR125	1 1/4"
XHCR150	1 1/2"
XHCR200	2"



Square Head Plug	
Part No.	Size
XLPLUG025	1/4"
XHPLUG050	1/2"
XHPLUG075	3/4"
XHPLUG100	1"
XHPLUG125	1 1/4"
XHPLUG150	1 1/2"
XHPLUG200	2"
XHPLUG300	3"



45 Elbow	
Part No.	Size
XHEL050-45	1/2"
XHEL075-45	3/4"
XHEL100-45	1"
XHEL125-45	1 1/4"
XHEL150-45	1 1/2"
XHEL200-45	2"



Caps	
Part No.	Size
XHCAP018	1/8"
XHCAP025	1/4"
XHCAP038	3/8"
XHCAP050	1/2"
XHCAP075	3/4"
XHCAP100	1"
XHCAP125	1 1/4"
XHCAP150	1"
XHCAP200	2"
XHCAP300	3"

Pipe Fittings For
All Of Your Needs

Rectorseal &
Teflon Tape
p. 185



90 Elbow	
Part No.	Size
XHEL050-90	1/2"
XHEL075-90	3/4"
XHEL100-90	1"
XHEL125-90	1 1/4"
XHEL150-90	1 1/2"
XHEL200-90	2"
XHEL300-90	3"



Union	
Part No.	Size
XHUN050	1/2"
XHUN075	3/4"
XHUN100	1"
XHUN125	1 1/4"
XHUN150	1 1/2"
XHUN200	2"
XHUN300	3"
RV219-0000-076	1" Teflon Gasket
RV219-0000-156	1 1/2" Teflon Gasket



Bell Reducers	
Part No.	Size
XHRC038-025	3/8" x 1/4"
XHRC075-025	3/4" x 1/4"
XHRC100-075	1" x 3/4"
XHRC125-100	1 1/4" x 1"
XHRC150-050	1 1/2" x 1/2"



90 St. Elbow	
Part No.	Size
XHSL050-90	1/2"
XHSL075-90	3/4"
XHSL100-90	1"
XHSL125-90	1 1/4"
XHSL150-90	1 1/2"
XHSL200-90	2"

Pipe Fittings – Forged Steel for Anhydrous Ammonia

Forged Steel Black Iron

Part No.	Size
XHNIP018-CN	1/8" x Close
XHNIP018-2	1/8" x 2"
XHNIP018-3	1/8" x 3"
XHNIP018-4	1/8" x 4"
XHNIP018-5	1/8" x 5"
XHNIP018-6	1/8" x 6"
XHNIP025-CN	1/4" x Close
XHNIP025-2	1/4" x 2"
XHNIP025-3	1/4" x 3"
XHNIP025-4	1/4" x 4"
XHNIP025-5	1/4" x 5"
XHNIP025-6	1/4" x 6"
XHNIP038-CN	3/8" x Close
XHNIP038-2	3/8" x 2"
XHNIP038-3	3/8" x 3"
XHNIP038-4	3/8" x 4"
XHNIP038-5	3/8" x 5"
XHNIP038-6	3/8" x 6"
XHNIP050-CN	1/2" x Close
XHNIP050-2	1/2" x 2"
XHNIP050-3	1/2" x 3"
XHNIP050-4	1/2" x 4"
XHNIP050-5	1/2" x 5"
XHNIP050-6	1/2" x 6"
XHNIP075-CN	3/4" x Close
XHNIP075-2	3/4" x 2"
XHNIP075-3	3/4" x 3"
XHNIP075-4	3/4" x 4"
XHNIP075-5	3/4" x 5"
XHNIP075-6	3/4" x 6"
XHNIP100-CN	1" x Close
XHNIP100-2	1" x 2"
XHNIP100-3	1" x 3"
XHNIP100-4	1" x 4"
XHNIP100-5	1" x 5"
XHNIP100-6	1" x 6"



Part No.	Size
XHNIP125-CN	1 1/4" x Close
XHNIP125-2	1 1/4" x 2"
XHNIP125-3	1 1/4" x 3"
XHNIP125-4	1 1/4" x 4"
XHNIP125-5	1 1/4" x 5"
XHNIP125-6	1 1/4" x 6"
XHNIP150-CN	1 1/2" x Close
XHNIP150-2	1 1/2" x 2"
XHNIP150-3	1 1/2" x 3"
XHNIP150-4	1 1/2" x 4"
XHNIP150-5	1 1/2" x 5"
XHNIP150-6	1 1/2" x 6"
XHNIP200-CN	2" x Close
XHNIP200-3	2" x 3"
XHNIP200-4	2" x 4"
XHNIP200-5	2" x 5"
XHNIP200-6	2" x 6"
XHNIP300-CN	3" x Close



Forged Steel Tees

Part No.	Size
XHTEE025	1/4"
XHTEE050	1/2"
XHTEE075	3/4"
XHTEE100	1"
XHTEE125	1 1/4"
XHTEE150	1 1/2"
XHTEE200	2"
XHTEE300	3"

Forged Steel Couplings

Part No.	Size
XHCPLG025	1/4"
XHCPLG050	1/2"
XHCPLG075	3/4"
XHCPLG100	1"
XHCPLG125	1 1/4"
XHCPLG150	1 1/2"
XHCPLG200	2"
XHCPLG300	3"

Forged Steel Bushings

Part No.	Size
XHRB038-025	3/8" x 1/4"
XHRB050-018	1/2" x 1/8"
XHRB050-025	1/2" x 1/4"
XHRB050-038	1/2" x 3/8"
XHRB075-025	3/4" x 1/4"
XHRB075-038	3/4" x 3/8"
XHRB075-050	3/4" x 1/2"
XHRB100-025	1" x 1/4"
XHRB100-050	1" x 1/2"
XHRB100-075	1" x 3/4"
XHRB125-050	1 1/4" x 1/2"
XHRB125-075	1 1/4" x 3/4"
XHRB125-100	1 1/4" x 1"
XHRB150-075	1 1/2" x 3/4"
XHRB150-100	1 1/2" x 1"
XHRB150-125	1 1/2" x 1 1/4"
XHRB200-075	2" x 3/4"
XHRB200-100	2" x 1"
XHRB200-125	2" x 1 1/4"
XHRB200-150	2" x 1 1/2"
XHRB300-200	3" x 2"
XHRB400-300	4" x 3"

Rectorseal &
Teflon Tape
p. 185

Forged Steel Pipe

Part No.	Black Pipe Per Foot - 21' Lengths
XH038	3/8" Schedule 80 Black Pipe Per Foot
XH050	1/2" Schedule 80 Black Pipe Per Foot
XH075	3/4" Schedule 80 Black Pipe Per Foot
XH100	1" Schedule 80 Black Pipe Per Foot
XH125	1 1/4" Schedule 80 Black Pipe Per Foot
XH150	1 1/2" Schedule 80 Black Pipe Per Foot
XH200	2" Schedule 80 Black Pipe Per Foot
XH300	3" Schedule 80 Black Pipe Per Foot

Safety Equipment



Chemical Gloves	
Part No.	Description
G96001	XL Gloves
G96001XXL	XXL Gloves



Goggles	
Part No.	Description
W95001	Vented Goggles
W95001NV	Non-Vented Goggles
W95002	Vented Goggles HD
W95003	Goggle Face Mask
W95004	Vented Goggle HD Tinted



Disposable Coveralls

Disposable coverall is made of Dupont Tyvek material for durability, economy, and practicality. Full cut for comfort with full length zipper and shirt collar. Unique structure creates an excellent barrier against acids and chemicals. Please specify size when ordering.

Disposable Coveralls	
Part No.	Description
F85020	Large Coveralls
F85020XL	XL Coveralls
F85020XXL	XXL Coveralls

Protective Clothing Size Chart (Tyvek Coveralls)

Height	Weight	Size
5'	110-140	L
5'2"	110-160	L
5'4"	110-160	L
5'6"	110-200	L
5'8"	130-220	XL
5'10"	130-220	L / XL
6'	160-250	XL / XXL
6'2"	160-250	XL / XXL
Above	Above 250	XXL

ChemWash Emergency Wash Kit

The ChemWash provides 6.6 gallons of fresh water for emergency rinsing. This package includes hoses, fittings, a cradle for mounting and a compartment for storing other safety related equipment.

ChemWash Kits	
Part No.	Description
MHCW/Y	6.6 Gallon Emergency Wash Kit



Safety Equipment



MSA Gas Masks	
Part No.	Description
MSA448938	Gas Mask
F85004	Filter
MSAD2056734	Case



NH ₃ Gloves	
Part No.	Description
G96000	14" NH ₃ Gloves
MEM6412	Double Dipped Green
KIN4184L	Orange 14" Insulated



Pry Bars	
Part No.	Description
SPB-1	1 X1 X 45" Double Hook Bar
SPB-2	1 X 1 X 23" Point Bar with 7° Taper

These pry-bars are manufactured from the finest chromium spring steel available. This material is fine-grained double-rolled 5160 chromium-manganese steel that is heat-treated and tempered for strength, durability, and toughness that cannot be matched by the cheap imported spring steels available.

Only the highest quality materials are used in the manufacture of your tillage tools. Same with this pry-bar — it's made of the material that wrecking bars used to be made of — 100% made in USA. Use it and abuse it with pride.



Safety Chains	
Part No.	Description
JTL610500	Safety Chain



Water Bottle	
Part No.	Description
DE45910	Eye Wash Water Bottle

NH₃ Knives | Accessories

NH₃ Knife

Part No.	Description
K4TS	Thin Knife
K4TSB	Thin Knife 3/8" & 3/4" Tube



Shield Deep Furrow Knife

Part No.	Description
AP100DF	Knife
AP100DFB	Knife 3/8" & 3/4" Tube
AP100DF-F	Freezeless Knife
AP100DFB-F	Freezeless Knife 3/8" & 3/4" Tube



Shield AP200 NH₃ Knife

Part No.	Description
AP200	Knife
AP200T	Knife w/ Sealer
AP200B	Knife 3/8" & 3/4" Tube
AP200TB	Knife 3/8" & 3/4" Tube w/ Sealer
AP200F	Freezeless Knife
AP200FT	Freezeless Knife w/ Sealer
AP200FTB	Freezeless Knife 3/8" & 3/4" Tube w/ Sealer
AP200FB	Freezeless Knife 3/8" & 3/4" Tube



Wako Knife

Part No.	Description
MAG50	Knife
MAG50B	Knife 3/8" & 3/4" Tube
MAG50T	Knife w/ Sealer
MAG50TB	Knife 3/8" & 3/4" Tube w/ Sealer
KF-500	Knife
KF-500B	Knife 3/8" & 3/4" Tube
KF-500T	Knife w/ Sealer
KF-500TB	Knife 3/8" & 3/4" Tube w/ Sealer



Wako Minimum Movement Fertilizer Knife

Part No.	Description
MT-50	Minimum Movement Fertilizer Knife
MT-50B	Knife w/ Vapor Tube

Weise A50MM Minimum Movement Fertilizer Knife

Part No.	Description
A50MM	Minimum Movement Fertilizer Knife
A50MMB	Knife w/ Vapor Tube



Wako Mopher Knife

Part No.	Description
KKNK100A	Mopher Knife 3/8"
KKNK100A3DTP	Mopher Knife w/ Dual Tube



Vapor Tubes

Part No.	Description
RV214-0002-002	3/4" Vapor Tube



Wiese Model A50SK Side Mount Knife

Part No.	Description
A50SK103X	w/ Insert (shown)
A50SK113X	w/ Sealer
A50SKCI103/83/4BT	w/ Dual Tube, w/ Sealer



Wiese Model CO-50 Side Mount Knife

Part No.	Description
CO501010	Knife
CO50104X	Knife
CO501000	Plain 3/8" Tube



1 1/2" to 2" shorter than other knives. Extra thin knife and 3/8" tube.

Replacement Tubes

Part No.	Description
1218F	3/8" OD x 12" Closed
1212SOE	1/2" OD Open & Flattened
1234F	3/4" OD Open & Flattened

Knife Bolts

Part No.	Description
413-836	1/2" x 2" GR5
425-108	1/2" Nut
50F275HCS8Y	1/2" x 2" GR8 Fine Thread
1220NLN	1/2" Fine Thread Nut



Sealers

Part No.	Description
AS75-N	Sealer 3/8" Knife
AS75-W	Sealer 1/2" Knife
K500B	Sealer for AP100TB
K500W	Sealer 1/2" Knife

Chisel Plow & Field Cultivator NH₃ Knives

DT3	
Part No.	Description
DT310	Plain Surfaced
DT3HS	Hard Surfaced



Dual Tillage Knife for use with 1 1/4" wide shank for NH₃. Application with field cultivator. 7/16" holes on 1 3/4" to 2" centers.

DT4	
Part No.	Description
DT4	Plain Surfaced
DT4HS	Hard Surfaced
DT4HS-BT	Hard Surface with Sealer



Thin profile with 7/16" holes on 1 5/8" to 2" hole centers. For field cultivator.

Wako Chisel Knife	
Part No.	Description
KKNC755	Chisel Knife 3/8" Tube



Model CP-65	
Part No.	Description
CP65	Plain Surfaced
CP65HS	Hard Surfaced
1218F	Replacement Tube for CP65



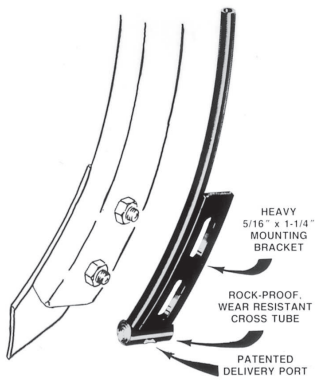
2" wide at top, covers the shank with ribs that fit on side to eliminate twisting. 12" long, 1/2" holes on 2 1/4" - 1 1/2" center.

Model CP-70	
Part No.	Description
CP70	Plain Surfaced
CP70HS	Hard Surfaced
CP70Cl4	Chromium Insert



Thin profile with 1/2" holes on 2 1/4" centers. For chisel plows.

Chisel/Cultivator Tubes Self-Clearing Port For Continuous Flow



Complete with replaceable chrome insert. Made from 2 1/4" x 3/4" stock.



Heavy-Duty Chisel Plow Knife with trash guard. Heaviest in the Industry, Chrome Point weighs 1.5 lbs.

CP-90	
Part #	Description
CP90	Knife, 3/8" Tube
CP90P	Knife, 3/8" Tube, Hard Surface Bead
CP90-1/2	Knife, 1/2" Tube
CP90P-1/2	Knife, 1/2" Tube, Hard Surface Bead
CP9034	Dual Tube Knife, 3/8" & 3/4" Vapor
761573	Replacement Chrome Point
BRP12114	Replacement Roll Pin

Chisel / Cultivator Tubes	
Part No.	Description
CPI	Chisel Tube - 3/8"
FCI	Cultivator Tube - 3/8"
CPI-1	Chisel Tube - 1/2"

CPK-1E	
Part #	Description
CPK-1E	Chisel Plow Knife 3/8" Tube
CPK-1E1/2	Chisel Plow Knife 1/2" Tube
CPK-1EB	Dual Tube, 3/8" & 3/4"
CPK-1TPT	Chisel Plow Knife, 3/8" Tube
CPK-1TPT 3 4DA	Dual Tube, 3/8" & 3/4"

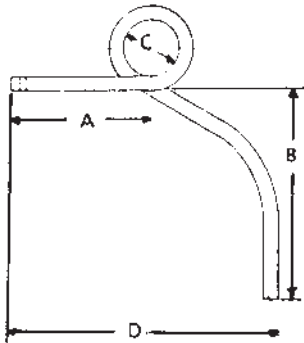
K800	
Part No.	Description
K800	3/8" NH ₃ Tube Assy.

(K800)

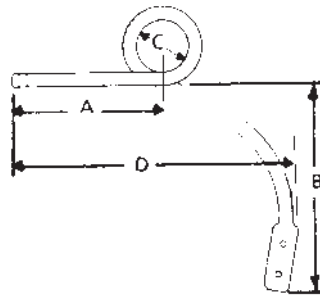
For use behind tillage spike or sweep. 3/8" OD pinched and drilled tube x 12" long. Mounting bracket has 5/16" hole punching with adjustable hole centers.



Toolbar Shanks



1 1/4" square coil shank.
Mounting hole is 1 1/16".
This shank requires knife
side-plate brackets.



1 1/4" square coil shank.
Top mounting hole is 1 3/16".
1 7/32" holes spaced at 2 3/4"
allow side mount knife to
be bolted directly to foot
without use of knife side-
plate brackets.

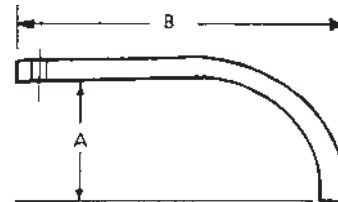
One-Hole Shanks

OEM	A	B	C	D	Part No.
DMI	11 3/4"	16"	4 1/2"	21"	KSC-90
Clark	13 1/2"	14 1/4"	4 1/2"	24"	KSC-94
John Blue (Long)	13 1/2"	18 1/2"	4 1/2"	23 1/2"	KSC-97
John Blue (Short)	13 1/4"	13 1/4"	4 1/2"	23"	KSC-98

Three-Hole Shanks

OEM	A	B	C	D	Part No.
TCI	13"	20"	4 1/2"	25 1/4"	KSC-95

1" x 2" Flat Shanks

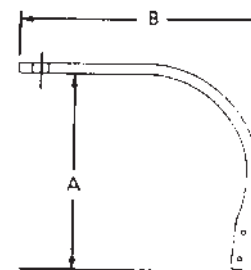


1" x 2" flat "chisel" shank.
Mounting hole is 1 3/16".

OEM	Part No.
DMI	33020013
DMI*	02422000*

*This shank requires knife
side-plate brackets.

A = 13 1/4" B = 26"



OEM	Part No.
DMI	330200175
DMI	KSH1298

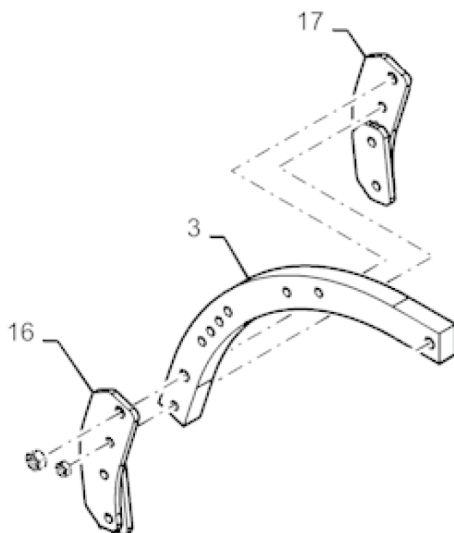
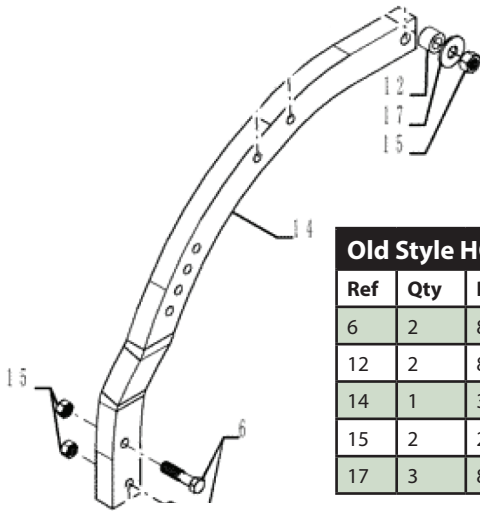
A = 20 1/2" B = 25 3/4"

OEM	Part No.
BLU-JET	KSC-1295

A = 15" B = 19 3/8"

Old Style HCS Shank

Ref	Qty	Part #	Description	Usage
6	2	87975	Bolt, Hex 1/2"	
12	2	87515446	Bushing	HT
14	1	33020031	Shank	
15	2	280431	Nut, 1/2" - 13, G5	
17	3	86992215	Lock Nut, 1/2" - 13, GC	



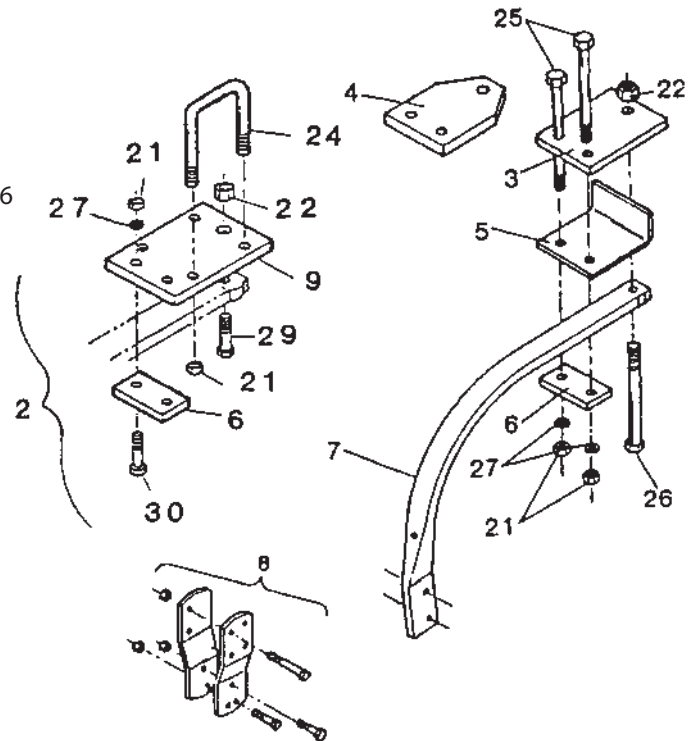
New Style HCS Shank w/ Side Plates

Ref	Qty	Part #	Description	Usage
3	1	51428430	Shank, HCS Flat	Shank, HCS Flat
16	1	47792026		Spacer, HCS, RH Knife
17	1	47828734		Spacer, HCS, LH Knife
		88693	Bolt, Hex 5/8"	
		87972	Bolt, Hex 1/2"	

Spring Shank Assembly

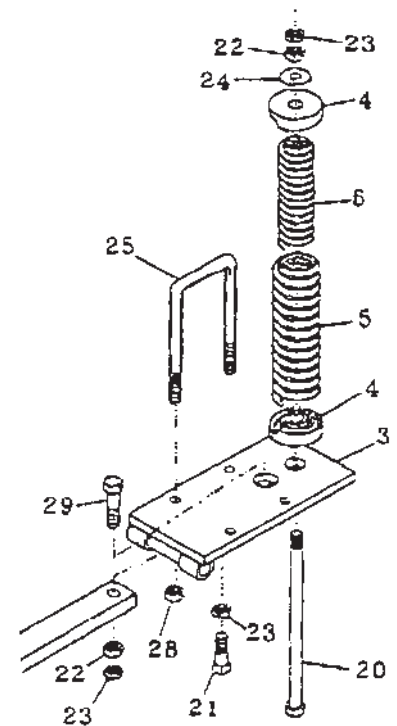
Rigid Shank Mount

Ref. No.	Part No.	Description
-	09232000	Complete Ridged Shank Mount
7	330200175	1" x 2" Side Mount Shank
	33020013	1" x 2" Flat Shank
9	04620510	Plate
	87452642	U-Bolt Hardware Bag for 4 x 4 and 4 x 6
	87452654	Hardware Bag 4 x 6
3	09213000	Top Clamp Plate
4	09213100	Center Top Clamp Plate
5	09235000	Lower Clamp Plate
6	09236000	Clamp Plate
8	02422000	Knife Brackets with hardware for Non-Side Mount 1" x 2" shanks
21	280374	5/8" NC Hex Nut
22	425-1012	3/4" NC Hex Nut
24	87427161	5/8" x 4" x 5 1/2" U-Bolt
	87427170	5/8" x 4" x 8" U-Bolt
25	413-10128	5/8" x 8" NC Hex Bolt Grade 2
26	281036	3/4" x 7 1/2" NC Hex Bolt Grade 5
27	12034871	5/8" Lock Washer
29	413-1248	3/4" x 3" NC Capscrew Grade 5
30	424-1048	5/8" x 3" NC Capscrew Grade 2



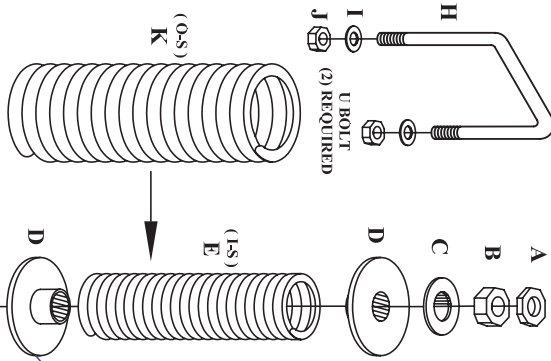
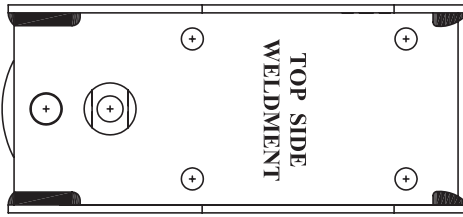
Heavy-Duty Spring Mount

Ref. No.	Part No.	Qty.	Description
	84428992	1	H.D. Spring Mount (Less Hardware)
	87452654	1	Hardware Bag
3	04665410	1	H.D. Spring Pivot
4	20090120	2	Double Spring Casting
5	24162504	1	Compression Spring 4 1/16" OD
6	24143812	1	Compression Spring 1 1/2" OD
Hardware			
20	16912609	1	3/4" x 14" NC Hex Bolt
21	16812084	1	3/4" x 2" Square Head Set Screw
22	425-1012	A/R	3/4" NC Hex Nut
23	86632557	A/R	3/4" NC Hex Jam Nut
24	495-21081	1	3/4" Std. Washer
25	87427161	2	5/8" x 4" x 5 1/2" U-Bolt
	87427170	2	5/8" x 4" x 8" U-Bolt
28	280374	A/R	5/8" NC Hex Nut
29	413-1248	1	3/4" x 3" NC Cap Screw Grade 5

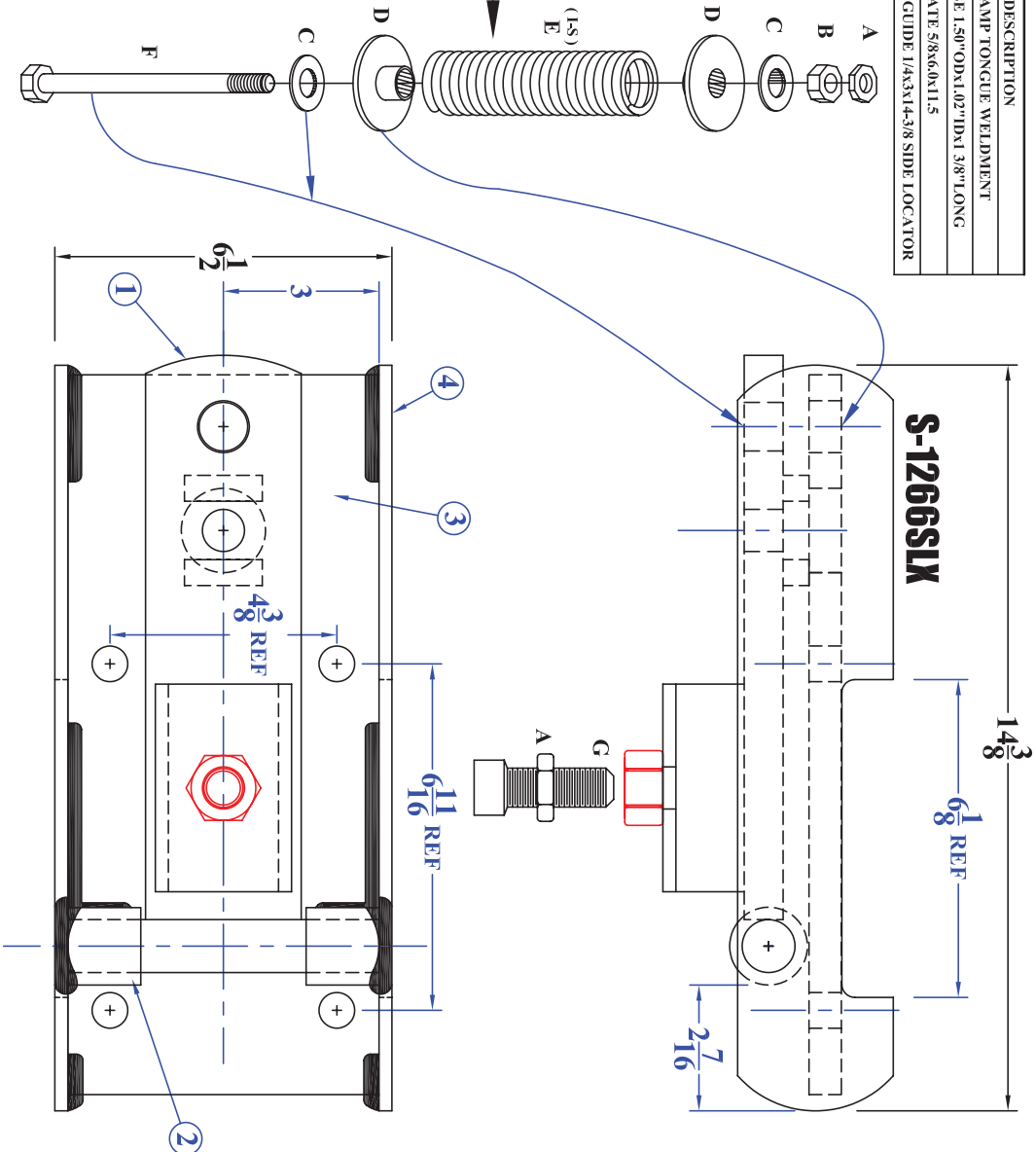


6 X 6 H.D. Spring Shank Mount

ITEM #	QUAN.	PART #	DESCRIPTION
1	1	S1244SL-TW	SPRING CLAMP TONGUE WELDMENT
2	2	S1244SL-HT	HINGE TUBE 1.50"ODx1.02"IDx1 3/8"LONG
3	1	S1246SL-MP	Mount Plate 5886.0x11.5
4	2	S1246SL-TBG	TOOL BAR GUIDE 1/4x3x14-3/8 SIDE LOCATOR

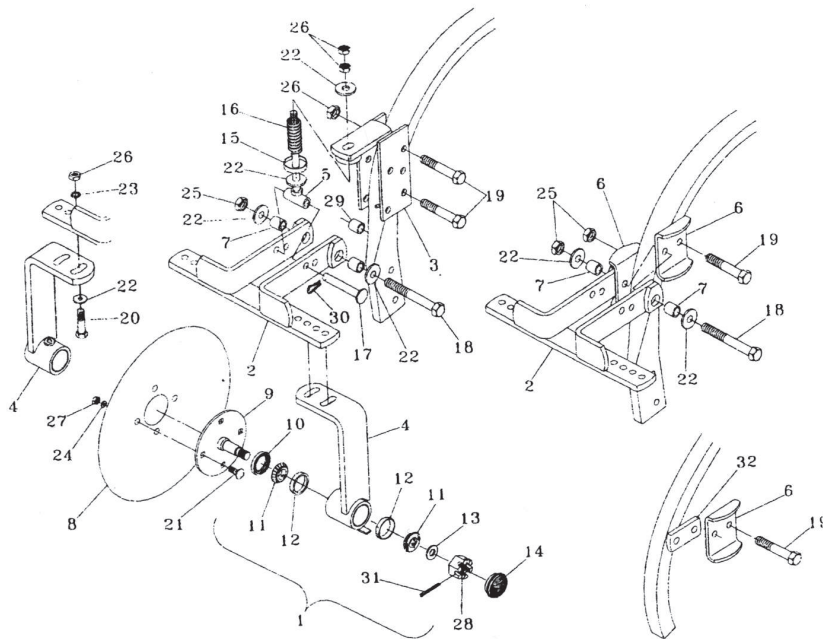


ITEM #	QUAN.	PART #	DESCRIPTION
A	2	N6J	JAM NUT
B	1	N6	NUT
C	2	MF6H	WASHER
D	2	SASC06	CAP
E	1	SPR-1	INSIDE SPRING (1-S)
F	1	106-N1	BOLT
G	1	106-B1	SCREW
H	2	AP-505018	U BOLT
I	2	LW5	WASHER
J	2	N5	NUT
K	1	SPR-2	OUTSIDE SPRING (O-S)



CNH 14" Reversible Spring Double Disc Sealer

Ref. No.	Part No.	Qty. No.	Description
1	02325200 02327010	2	Sealer Arm Assembly (straight arm) RH Sealer Arm Assembly (previous style)
	02325010		LH Sealer Arm Assembly (previous style)
2	02335300	1	Sealer Frame
3	02334000	1	Bracket
4	02325150	1	Sealer Arm with Cups
5	02333500	1	1/2" diameter Spring Pivot Bolt
6	02335120	2	Shank Spacer (1" x 2" Shank)
7	02323100	2	Bushing
8	443623A1	2	14" Disc Blade
9	04666420	2	Hub and Shaft (straight arm)
10	21931000	2	Seal CR10035
11	21870750	4	3/4" Bore Cone (LM11949)
12	21881780	4	1.781" OD Cup (LM11910)
13	495-11081	4	3/4" SAE Washer
14	28400400	2	Grease Cap
15	17506010	1	Cup Washer
16	24120701	1	Compression Spring
17	14808291	1	1/2" x 3 5/8" El Clevis Pin
18	413-888	1	1/2" x 5 1/2" NC Hex Bolt Gd. 5
19	NSI	2	1/2" x 3 1/4" NC Hex Bolt Gd. 5
20	NSI	4	1/2" x 1 3/4" NC Hex Bolt Gd. 5
21	280430	8	3/8" x 3/4" NC Carriage Bolt
22	495-21056	6	1/2" Flat Washer
23	492-11050	4	1/2" Lock Washer
24	492-11038	8	3/8" Lock Washer
25	86992215	2	1/2" Hex Lock Nut
26	425-108	8	1/2" Hex Nut
27	425-106	8	3/8" Hex Nut
28	14051202	2	3/4" NF Slotted Nut
30	14720411	1	1/8" x 2" Hair Pin
31	80755	1	1/8" x 1" Cotter Pin
32	18534222 02321000	2	DMI Spring Sealer Decal *Spacer Plate (1 1/4" coil shank) *= two needed for 1 1/4" coil shank

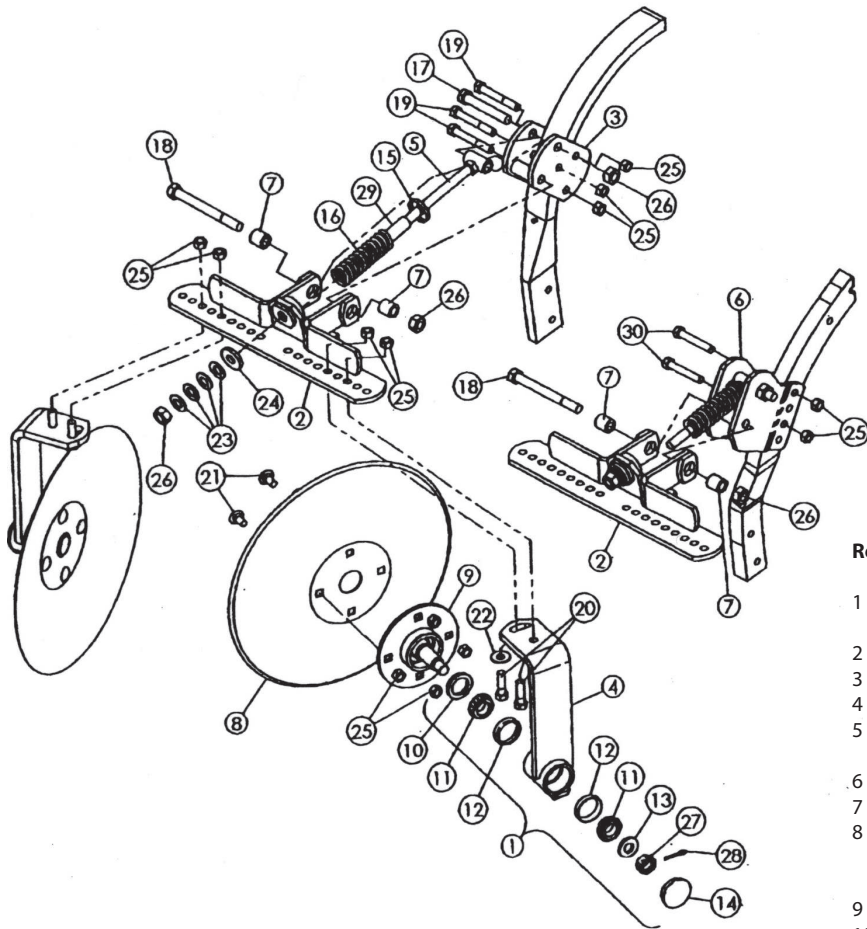


NSI - NON-STOCKING ITEM - Purchase locally as standard hardware item.



Part No.	Description
02400100	Reversible Spring Disc Sealer (1" x 2" or 1 1/4" shank)
02335140	Two Regular Disc Sealer mounting plates** (for 1 1/4" coil shank)
02321000	*Spacer Plate (for 1 1/4" coil shank) **two needed for 1 1/4" coil shank

CNH 18" Reversible Spring Double Disc Sealer



Ref. No.	Part No.	Qty. No.	Description
1	84296819	2	Sealer Arm Assembly (includes #4, 9, 10, 11-14, 27-28)
2	04693145	1	Sealer, H-frame Weldment
3	04693195	1	1" x 2" Sealer Mount
4	84304050	2	Sealer Arm with cups
5	04693150	1	T-Bolt Wedlment
6	04693165	1	Sealer Mount Weldment
7	44006204	2	Bushing
8	443628A1	2	18" Disc Blade - Sharp
	443625A1	2	18" Disc Blade - Dull
	84380560		18" Notched Blades
9	09103120	2	Disc Spindle Weld
10	21931375	2	1.37" Seal
11	463911R9	4	1.00" Bore Cone (Timken #L44643)
12	572564R1	4	1.980" Cup (Timken #L44610)
13	17412001	2	3/4" I.D. Washer, Heat-Treated
14	28420021	2	Grease Cap
15	17506020	1	0.656" I.D. Cup Washer
16	24120701	1	Compression Spring
17	86977740	1	5/8" x 4" NC Hex Bolt, Gd. 5, Z.P.
18	88264	1	5/8" x 6" NC Hex Bolt Gd. 5, Z.P.
19	824-856	3	1/2" x 3 1/2" NC Hex Bolt Gd. 5
20	NSI	4	1/2" x 1 3/4" NC Hex Bolt, Gd. 5
21	433-816	8	1/2" x 1" Carriage Bolt
22	495-21056	2	1/2" Standard Washer
23	17511000	4	1 1/16" Spring Washer
24	594-81028	1	1 1/16" I.D. x 1 3/4" x .25" Washer
25	NSI	A/R	1/2" NC Stover Lock Nut
26	NSI	3	5/8" NC Stover Lock Nut
27	14051202	2	3/4" NF Slotted Hex Nut
28	432-816	2	1/8" X 1" Cotter Pin
29	04693158	1	Tube
30	87339	4	1/2" x 3" NC Hex Bolt Gd.5, Z.P.

1" x 2" Shank

Part No.	Description
84399997	18" Reverse Spring Sealer, Notched Blade

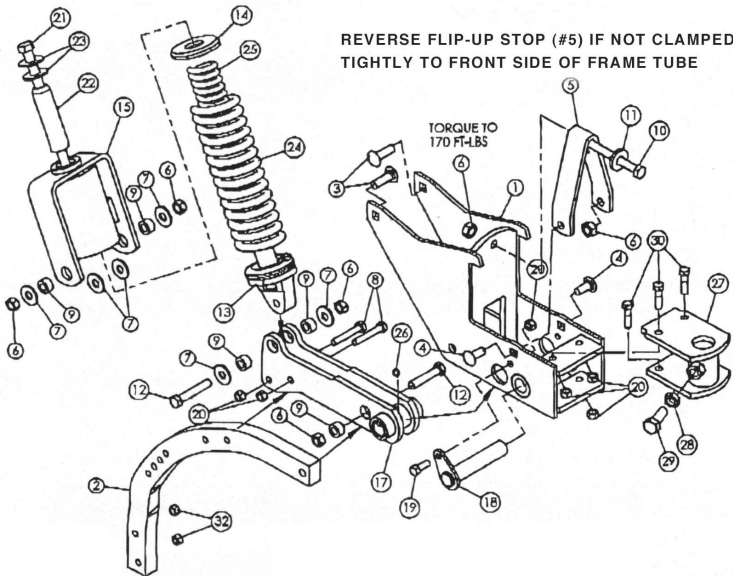
HCS Only

Part No.	Description
84299644	18" Reverse Spring Sealer, Notched Blade
84299712	18" Sealer w/ Dull Blade

NSI - NOT A SERVICE ITEM
A/R - AS REQUESTED

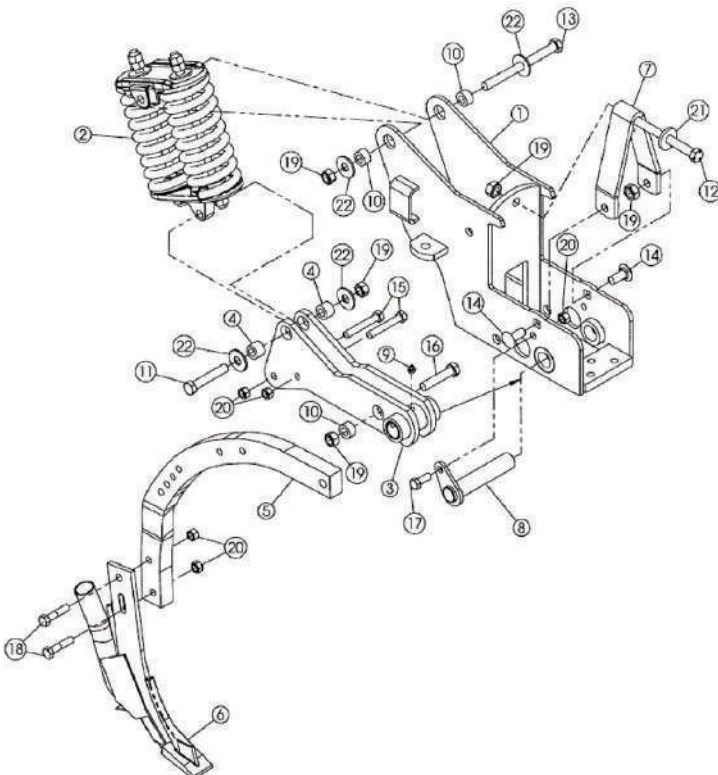
CNH High-Clearance Shank Assembly (HCS)

Generation 1 HCS



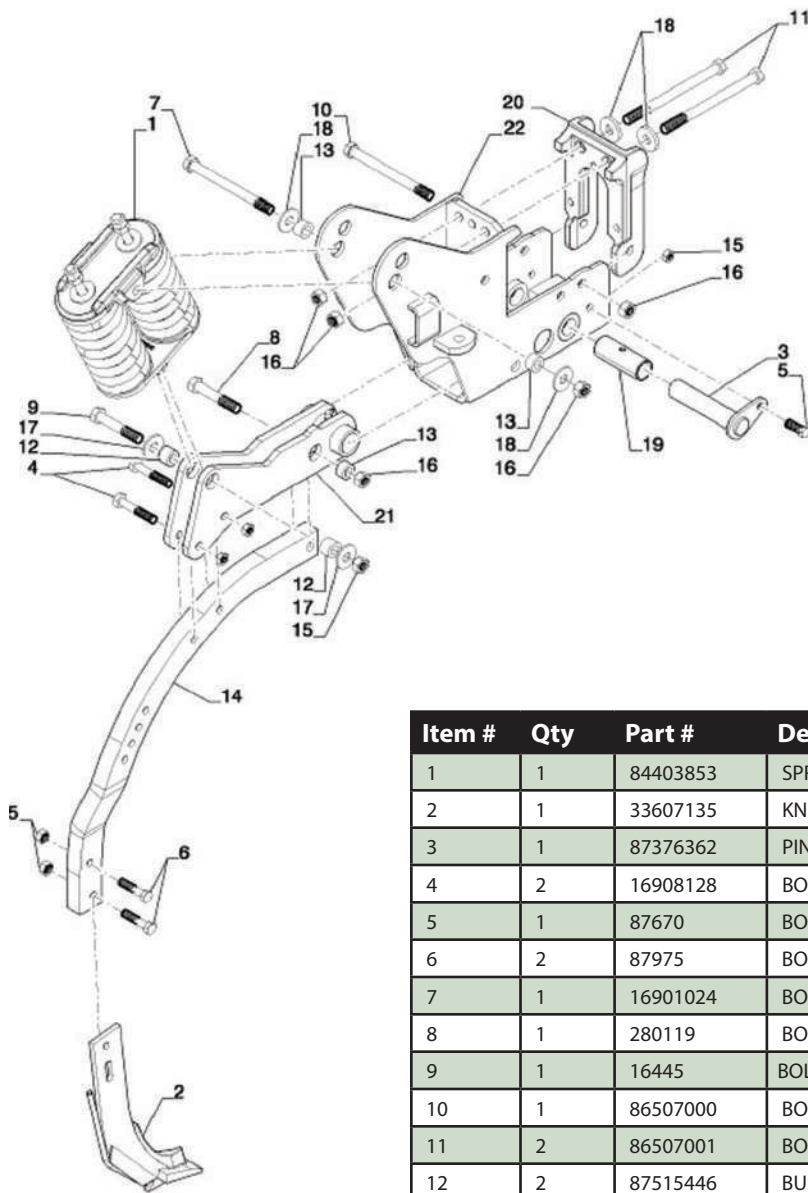
Ref. No.	Part No.	Qty. No.	Description
1	04691710	1	Weldment, Shank Mount
2	33020031	1	Formed Shank
3	16110085	2	5/8" x 2" Carriage Bolt, Gd. 5 Z.P.
4	16110065	2	5/8" x 1 1/2" Carriage Bolt, Gd. 5 Z.P.
5	04691717	1	Flip-up Stop
6	86992216	7	5/8" NC Stover Lock Nut
7	495-21069	6	5/8" Standard Washer
8	16908128	2	1/2" x 3" NC Hex Bolt A325, Z.P.
9	44006201	5	Bushing H.T.
10	16010305	1	5/8" x 7 1/2" NC Hex Bolt Gd. 5 Z.P.
11	495-81028	1	1 1/16" ID 1/3/4" OD Washer
12	280119	2	5/8" x 3 1/2" NC Hex Bolt Gd. 5 Z.P.
13	04691725	1	Spring Bolt Weldment
14	20090124	1	Double Spring Casting
15	04691730	1	Spring Canister Weldment
17	04691735	1	Shank Pivot Weldment
18	87376362	1	Flag Pin Weldment
19	87670	1	1/2" x 1 1/4" NC Hex Bolt Gd. 5 Z.P.
20	86992215	7	1/2" NC Stover Lock Nut
21	16901244	1	3/4" x 11 1/2" NC Hex Bolt Gd. 5 Z.P.
22	04691721	1	Wear Tube
23	17012001	2	3/4" Standard Washer Z.P.
24	24162506	1	Compression Spring
25	24143816	1	Compression Spring
26	219-86	1	1/8" NPT Zerk, Self Trap
27	04691745	1	Coulter Mount Weldment
28	86632557	1	3/4" NC Hex Jam Nut Z.P.
29	16012085	1	3/4" x 2" NC Hex Bolt Gd. 5 Z.P.
30	413-832	4	1/2" x 2" NC Hex Bolt Gd. 5 Z.P.
31	16008105	2	1/2" x 2 1/2" NC Hex Bolt Gd. 5 Z.P.
32	425-108	2	1/2" NC Hex Bolt

Generation 2 HCS



Ref. No.	Part No.	Qty. No.	Description
1	87379645	1	SHANK - HCS, Does Not Include Knife & Hardware
1	87532483	1	MOUNTING PARTS - Shank Weldment
2	87532498	1	KIT, SPRING - HCS Pak Assembly
3	87532493	1	PIVOT - Shank Weldment
4	87515446	1	BUSHING - Heat Treated
5	33020031	1	SHANK - Formed
6	33607130	1	KNIFE - Strip-Till, Dry Only
6	33607135	1	KNIFE - Strip-Till, NH ₃ Only
7	04691717	1	STOP - Flip-Up
8	14820475	1	PIN, TOWBAR - 1 1/4", Flag
9	219-86	1	NIPPLE, LUBE - 1/8" x .62"lg, Drive
10	44006201	5	BUSHING - Heat Treated
11	413-1060	1	BOLT - Hex, 5/8"-11 x 3 3/4", G5
12	413-10128	1	BOLT - Hex, 5/8"-11 x 8", G5
13	16901024	1	BOLT - 5/8" - 11 x 7 1/4", Gd 5
14	433-1024	2	BOLT, CARRIAGE - Short NK, 5/8" - 11 x 1 1/2", G5
15	16908128	2	BOLT - 1/2 x 3, A-325
16	413-1056	1	BOLT - Hex, 5/8"-11 x 3 1/2", G5
17	413-820	1	BOLT - Hex, 1/2"-13 x 1 1/4", G5 Full Thd
18	413-836	2	BOLT - Hex, 1/2"-13 x 2 1/4", G5
19	85700693	5	NUT, LOCK - 5/8"-11, GC
20	86992215	5	NUT, LOCK - 1/2"-13, GC
21	495-21081	1	WASHER - 3/4"
22	80299	4	WASHER - 5/8"

Gen. "3" High Clearance Shank Assembly (HCS)



CNH High Clearance Shank Assembly

Part No.	Description
84397613	4 X 6 Bar HCS Assy GEN 3
84397624	6X6 Bar HCS Assy GEN 3

See p. 170 for
Updated Shank
Options

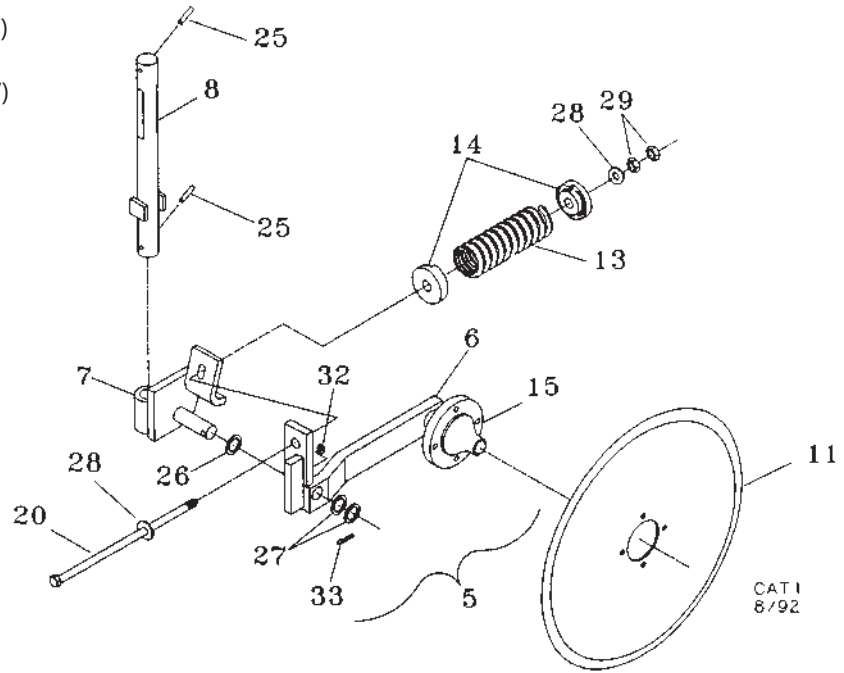


Item #	Qty	Part #	Description
1	1	84403853	SPRING
2	1	33607135	KNIFE
3	1	87376362	PIN
4	2	16908128	BOLT .5 x 3.0 NC A325 HEX BLT, ZND
5	1	87670	BOLT Hex, 1/2"-13 x 1 1/4", G5, Full Thd
6	2	87975	BOLT Hex, 1/2"-13 x 2 1/4", G5
7	1	16901024	BOLT 5/8"-11 X 7 1/4 GR 5 ZN 1 IN. THRD
8	1	280119	BOLT Hex, 5/8"-11 x 3 1/2", G5
9	1	16445	BOLT Hex, 5/8"-11 x 3 3/4", G5
10	1	86507000	BOLT Hex, 5/8"-11 x 6 1/2", G5
11	2	86507001	BOLT Hex, 5/8"-11 x 8 1/2", G5
12	2	87515446	BUSHING H.T.
13	3	44006201	BUSHING H.T.-S
14	1	33020031	SHANK
15	2	280431	NUT 1/2"-13, G5
16	6	86992216	LOCK NUT
17	3	86992215	LOCK NUT 1/2"-13, GC
18	6	80299	WASHER 5/8"
19	2	44012504	BUSHING 0.656 x 1.75 x 0.239 CST ZND
20	1	84223909	CLAMP
21	1	87532493	PIVOT
22	1	84236985	MOUNT

CNH 20" & 24" Coulters Assembly & Mount

The Ultimate In Cutting Ability In Any Residue Situation

5	04663000	20" Coulters Arm Assembly (1 3/4")
	04663050	24" Coulters Arm Assembly
6	04663100	20" Coulters Arm with Hub (1 3/4")
	04663300	24" Coulters Arm with Hub
7	04663200	20" and 24" Coulters Pivot (1 3/4")
8	04663150	20" Coulters Shaft (1 3/4")
	84293454	24" Coulters Shaft
11	443626A1	CNH 20" Coulters Blade
	33502042S	Shield 20" Coulters Blade
	33502442S	Shield 24" Coulters Blade
	443638A1	CNH 24" Coulters Blade
	33502043S	20" Fluted Coulters Blade
	TCOP241970LML	Wako 24" Blade
	TCOP201770LML	Wako 20" Blade
13	24143880	Compression Spring (20")
	24156205	Compression Spring (24")
14	20090050	Spring Holder Casting
15		See 633 Hub on Hub Page
20	413-10176	5/8" x 11 NC Hex Bolt (20")
	413-10216	5/8" x 13 1/2" Hex Bolt (24")
25	438-32840	7/16" x 2 1/4" Roll Pin
	138-314	3/8" x 2 1/4" Roll Pin 20" (1 1/2")
	49529000	24" Coulters Bottom Collar (old)
26	17620030	1 1/4" Machined Bushing 10 Gauge
27	17620020	1 1/4" Machined Bushing 14 Gauge
28	495-81028	5/8" Washer x 1/4" Thick
29	280374	5/8" NC Hex Nut
32	219-86	1/8" NPT Grease Zerk
33	80753	1/4" x 1 1/2" Cotter Pin

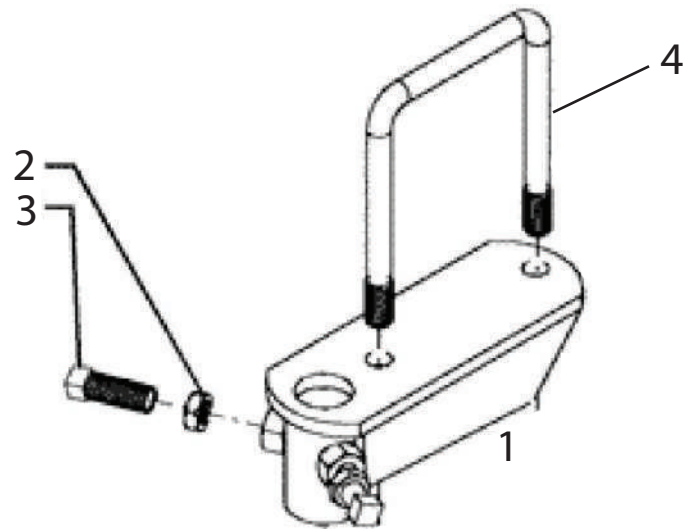


CNH Coulters Assembly

Part No.	Description
84371648	20" Coulters Assembly (1 3/4" shafts)
84371554	24" Coulters Assembly (1 3/4" shafts)
84379516	24" Coulters Assembly for 940 Toolbar

Standard Coulters Mountings for 20" and 24" Coulters

Coulters Mountings			
Reference	Part No.	Description	Qty
1	87460812	Standard Mount ONLY (1 3/4" shaft) 4 X 6	1
1	84328533	Standard Mount ONLY (1 3/4" shaft) 6 X 6	1
2	86632557	Jam Nut	2
3	16812084	3/4" x 2" Set Screw	2
4	87427182	U-Bolt 4 X 8	1
4	87427188	U-Bolt 6 X 8	1



Dalton 18" Independent Disc Sealer



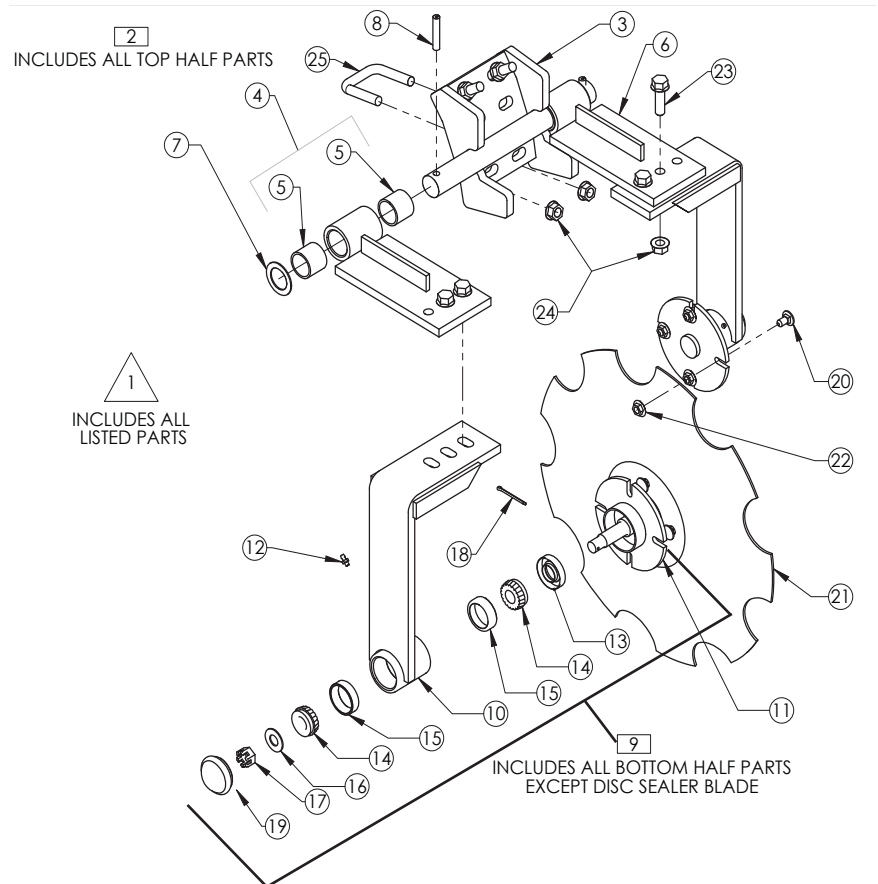
Independent arms with 18" notched blades, arms pivot on 1 1/4" shaft and have been fitted with a cast bronze grease-able bushing. The arms are made adjustable so that you can vary the pitch on the blades depending on conditions. With the 18" blade & the position of the blades relative to the knife, lets it shed residue without bunching. This feature lets you run the blades straighter which reduces the wear & tear on the bearings & pivot points.

Disc Sealers

Part No.	Description
JT14410171	18" Disc Sealer
JT14410190	14" Disc Sealer

4410171 - Disc Sealer, Independent Style, 18" Notched

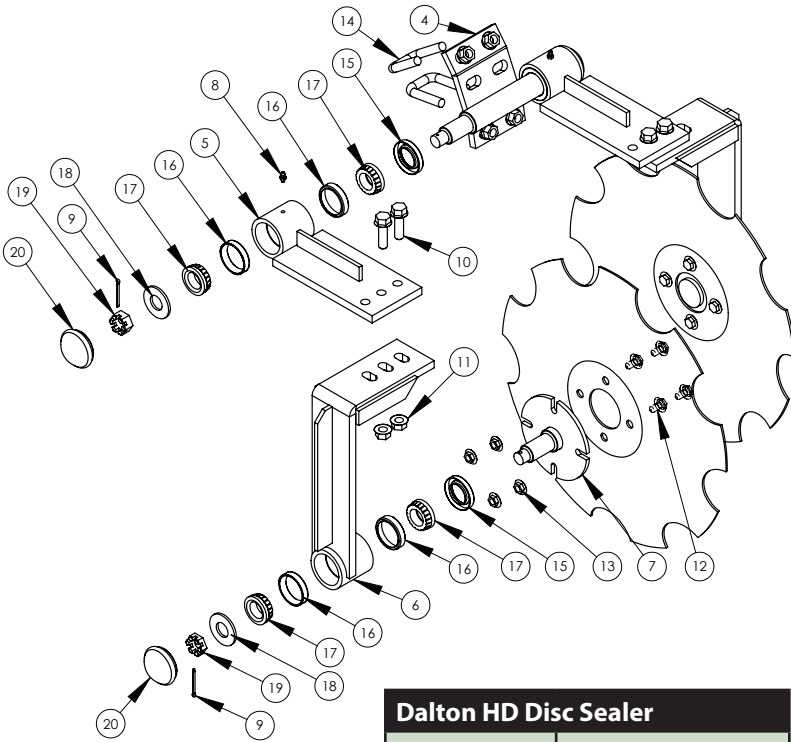
#	Part No.	Description	Qty.
1	4410171	Independent Style	1
2	4410174	Upper Mounting Bracket	1
3	4420271	Shank Mounting Bracket	1
4	4410256	Pivot Arm W Bushing, Lh	1
5	4440857	Bushing, Composite	2
6	4410255	Pivot Arm W Bushing, Rh	1
7	150251	Flat Washer, 1.25 Id X 1.875 Od	2
8	101689	Spring Pin .375X2	2
9	4420277	Hub Assembly, Std	2
10	4420273	Hub Bracket, Std, Weldment	1
11	4420201	Spindle Hub, Std, Weldment	1
12	151222	Grease Zerk, 0.25 Self Tapping	1
13	21931000	Grease Seal	1
14	21870750	Bearing Cone	2
15	21881780	Bearing Cup	2
16	150224	Flat Washer, 0.625	1
17	425-1310	Slotted Nut 5/8"	1
18	150406	Cotter Pin, 0.125 X 2	1
19	4441387	Dust Cap, 1.75	1
20	151835	Carriage Bolt .375X.75 Nc Pltd	8
21	4440785	Blade, 18 Inch Notched	2
22	158005	Flange Nut, 0.375 Nc	8
23	158006	Flange Bolt, 0.5 Nc X 1.75, G5	4
24	158007	Flange Nut, 0.5 Nc	8
25	4440788	U-Bolt, 2 X 2.5 X 0.5 Nc, Square Head	2
25	4440788-EDGE	Edge For High Clearance Shank U-Bolt	2



ALL QUANTITIES ARE PER ROW UNIT

4450048 - STANDARD DISC SEALER REBUILD KIT
-INCLUDES (2) BEARINGS, (2) RACES, AND (1) SEAL

Dalton H.D. Disc Sealer

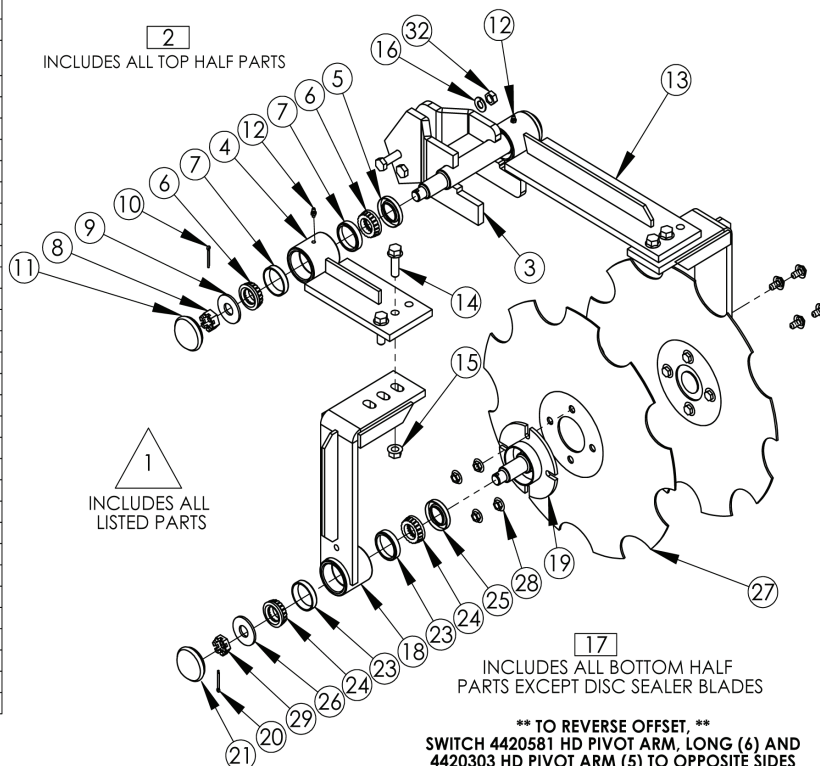


Dalton HD Disc Sealer	
Part No.	Description
JTI4410223-EXP	18" HD Disc Sealer
JTI4410223-HCS	HCS 18" HD Disc Sealer

Item No.	Part No.	Description	Qty
	4410223	HD Independent Disc Sealer	1
	4420310	HD Independent Upper Mount Assembly	1
	4410263	HCS Upper Mount Assembly HCS Shank	
	4420309	HD Hub Assembly	2
	4420303-1	Arm - Offset Arm	1
	4420309	Complete Arm	1
4	4420302	HD Shank Mount Bracket	1
5	4420303	HD Pivot Arm	2
6	4420304	HD Hub (Bracket Only)	2
7	4420305	HD Spindle	2
8	151224	Grease Zerk, 1/4" Self Tapping	4
9	150409	Cotter Pin, 1/8" x 1 1/2"	4
10	158006	Flange Bolt, 1/2" NC x 1 3/4"	4
11	158007	Flange Nut, 1/2" NC	8
12	158004	Flange Bolt, 3/8" NC x 3/4"	8
13	158005	Flange Nut, 3/8" NC	8
14	4440788	2" x 2 1/2" x 1/2" NC	2
15	4440815	Seal, 2"	4
16	4440817	Race	8
17	4440816	Bearing	8
18	158012	Spindle Washer	4
19	158002	Castle Nut, 3/4" NC	4
20	4440814	Dust Cap, 2"	4

OS HCS Disc Sealer, with Offset Arms

#	PART NUMBER	Q
1	4410262 OS HCS DISC SEALER, WITH OFFSET ARMS	1
2	4410263 OS HCS UPPER MOUNT ASSEMBLY, w OFFSET ARMS	1
3	DS 4420497 HCS UPPER MOUNTING BRACKET	1
4	DS 4420303 PIVOT ARM, HD	1
5	4440815 SEAL	2
6	4440816 BEARING	4
7	4440817 RACE	4
8	158003 SLOTTED NUT, .75 NC	2
9	158012 SPINDLE WASHER, .75	2
10	150409 COTTER PIN, .125 x 1.5, PLAIN	2
11	4440814 DUST CAP, 2 INCH	2
12	151222 GREASE ZERK, .25 SELF TAPPING	2
13	4420581 PIVOT ARM, HD, LONG	1
14	158006 FLANGE BOLT, .5 NC x 1.75, G5	4
15	158007 FLANGE NUT, .5 NC	4
16	150217 LOCK WASHER, .5	2
17	4420309 HD HUB ASSEMBLY □	2
18	DS 4420304 HUB BRACKET, WELDMENT, HD	1
19	DS 4420305 SPINDLE HUB, HD, WELDMENT	1
20	150409 COTTER PIN, .125 x 1.5, PLAIN	1
21	4440814 DUST CAP, 2 INCH	1
22	151222 GREASE ZERK, .25 SELF TAPPING	1
23	4440817 RACE	2
24	4440816 BEARING	2
25	4440815 SEAL	1
26	158012 SPINDLE WASHER, .75	1
27	DS 4440785 BLADE, 18 INCH NOTCHED	1
28	158005 FLANGE NUT, .375 NC	4
29	158002 SLOTTED NUT, .75 NC THIN	1
30	158004 FLANGE BOLT, .375 NC x .75, G5	4
31	152225 BOLT, .5 NC x 3, G8	2
32	150060 NUT, .5 NC, LOCKING, PLTD	2



** TO REVERSE OFFSET, **
SWITCH 4420581 HD PIVOT ARM, LONG (6) AND
4420303 HD PIVOT ARM (5) TO OPPOSITE SIDES

Continental SF-3000 Equalizer

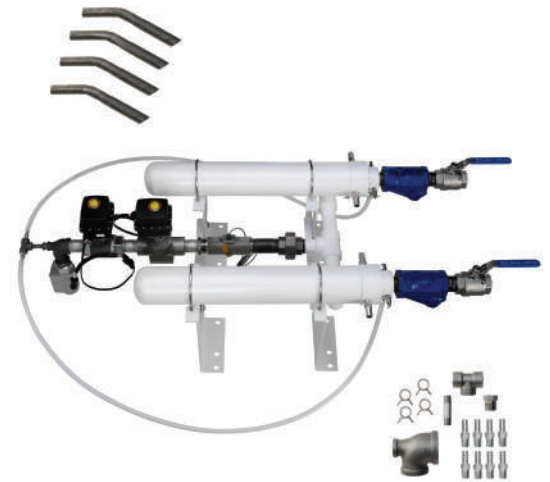


SF-3000 Equalizer



Features

- High flows heat exchanger 30 GPM capacity
- Guaranteed N-Serv Compatible
- 1 1/4" NPT in and out
- Stainless steel interior
- Available with or without mounting bracket
- Versatile design provides operability with any flow meter or ground driven pump
- Orifices optional
- 2 additional dump tubes for increased distribution



Continental	
Part No.	Description
A-SF-3000GH-KIT	Superflow Cooler
A-SF-RK	O-Ring Repair Kit



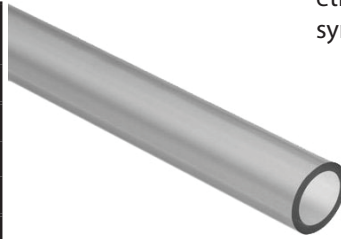
Anhydrous Ammonia Hose & Accessories

Eva Tubing (Available in Black or Tinted Blue)

Application: Used in applying anhydrous ammonia, aqua ammonia, herbicides, phosphates and all liquid fertilizers.

Construction: Clear ethylene vinyl acetate plastic tubing.

Part No.	ID	Wall	PSI	Roll Length
G96026	3/8"	1/8"	75	500'
G96026-BL	3/8"	1/8"	75	500'
G96020	1/2"	1/8"	75	300'
G96020-BL	1/2"	1/8"	75	250'
G96023	3/4"	1/8"	60	200'
G96023-BL	3/4"	1/8"	60	200'
G96022	1"	1/8"	60	150'
G96022-BL	1"	1/8"	60	100'



Reinforced Eva Tubing

Application: Same uses as standard EVA tubing. Offers a higher working pressure and has great stress and crack resistance at low temperatures. Construction: Clear ethylene vinyl acetate plastic tubing, reinforced with a synthetic cord.



Part No.	ID	PSI	Roll Length
G96026B	3/8"	250	300'
G96020B	1/2"	200	300'
G96023B	3/4"	175	300'
G96022B	1"	150	200'

Clear Vinyl Tubing

Application: Site gauge and safety water can usage. Construction: Clear extruded vinyl tubing. In 100' rolls.



Part No.	ID	Wall	PSI	Roll Length
G96039	1/4"	1/8"	70	100'
G96036	3/8"	1/8"	60	100'
G96040	1/2"	1/8"	45	100'
G96037	5/8"	1/8"	40	100'
G96041	3/4"	1/8"	35	100'
G96042	1"	1/8"	25	100'
G96043	1 1/4"	1/4"	20	50'
G96044	1 1/2"	1/4"	20	50'



Stainless Steel Hose Clamps

Part No.	ID	Hose Size
DE45001	5/16" - 7/8"	3/8" - 1"
42H000012B	9/16" - 1 1/4"	3/4"
DE45002	1 1/16" - 1 1/2"	1/2" - 1"
DE45007	1 1/16" - 2"	1 - 1/4"
DE45003	1 5/16" - 2 1/4"	1 - 1/2"
DE45008	2 1/16" - 3"	2"
DE45005	3 1/16" - 4"	3"

Anhydrous Ammonia Hose

Part No.	Size & Braid
GF050-150	1/2 x 15'0 Nylon
GF100-032	1 x 32' Nylon
GF100-030	1 x 3'0 Nylon
GF100-040	1 x 4'0 Nylon
GF100-080	1 x 8'0 Nylon
GF100-100	1 x 10'0 Nylon
GF100-120	1 x 12'0 Nylon
GF100-150	1 x 15'0 Nylon
GF100-200	1 x 20'0 Nylon
GF125-032	1 1/4 x 32' Nylon
GF125-100	1 1/4 x 10' Nylon
GF-125-120	1 1/4 x 12' Nylon
GF125-150	1 1/4 x 15'0 Nylon
GF125-300	1 1/4 x 30' Nylon



**1-1/2"
& 2"
NH₃ Hose
sizes
available
also!**

**Any length
available!**

ACME Couplings - Adapters - Caps

Acme Safety Couplings

Part No.	Inlet Conn.	Outlet Conn.	Brand
A-577-B	1" MPT	1 3/4" ACME	Continental
110645	1" MPT	1 3/4" ACME	Squibb
A-577-C	1 1/4" MPT	1 3/4" ACME	Continental
A-577-D	1 1/4" MPT	2 1/4" ACME	Continental
110650	1 1/4" MPT	2 1/4" ACME	Squibb
A-577-G	1 1/2" MPT	2 1/4" ACME	Continental
110651	1 1/2" MPT	2 1/4" ACME	Squibb
A-577-BLC	1" MPT	1 3/4" ACME, Locking	Continental
A-577-CLC	1 1/4" MPT	1 3/4" ACME, Locking	Continental
A-577-DLC	1 1/4" MPT	2 1/4" ACME, Locking	Continental
A-577-GLC	1 1/2" MPT	2 1/4" ACME, Locking	Continental

Squibb



Continental



Acme Adaptor Cap

Part No.	Male Acme	Female Acme
A-580	1 3/4"	1 3/4"
150573	1 3/4"	2 1/4"
A-582	1 3/4"	2 1/4"
122131	1 3/4"	3 1/4"
A-584	1 3/4"	3 1/4"
A-586	2 1/4"	1 3/4"

Acme Couplings

Part No.	Male Pipe Thread	Acme Thread	Length	MFG
CB-521-B	1"	1 3/4"	3 3/4"	Continental
S110684	1 1/4"	2 1/4"	4"	Squibb



Male Acme x Female NPT Adapter

Part No.	Acme Size	FPT Size
150571	1 3/4"	3/4"
A-525	1 3/4"	3/4"
111466	1 3/4"	1"
A-525-B	1 3/4"	1"
122055	2 1/4"	1 1/4"
A-533-G	2 1/4"	1 1/2"
111561	3 1/4"	2"
A-544	3 1/4"	2"

Male Acme x Male NPT Adapter



Part No.	Acme Size	FPT Size
111415	1 3/4"	1/2"
A-524-A	1 3/4"	1/2"
111420	1 3/4"	3/4"
A-524	1 3/4"	3/4"
111425	1 3/4"	1"
A-524-B	1 3/4"	1"
111430	1 3/4"	1 1/4"
A-524-C	1 3/4"	1 1/4"
111537	2 1/4"	1"
111539	2 1/4"	1 1/4"
A-532	2 1/4"	1 1/4"
1115570	2 1/4"	1 1/2"
A-533-G	2 1/4"	1 1/2"
122055	2 1/4"	2"
A-534	2 1/4"	2"



Acme Caps & Chains

Part No.	Acme Size
110680	1 3/4"
A-529-C	1 3/4"
110696	2 1/4"
A-535-C	2 1/4"
110701	3 1/4"
A-545-C	3 1/4"

Nylon Acme Dust Cap w/ Chain



Part No.	Acme Size
22-63-FC	1 3/4"

Male Acme Adapter

Part No.	Acme Size
111436	1 3/4"
111446	2 1/4"
122107	3 1/4"



Spanner Wrench



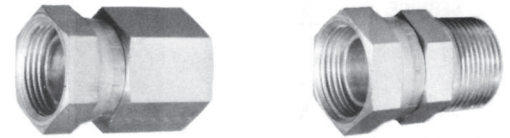
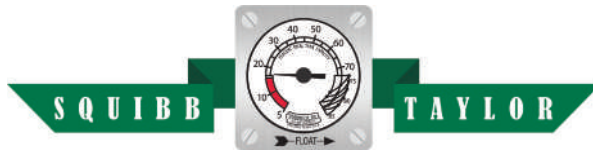
Type Number	Overall Length	Construction Material
122631	18"	Aluminum

Male Acme Adapter & Plug

Part No.	Acme Size
111463	1 3/4"
A-524-WBLC	1 3/4"
111500	2 1/4"
A-532-WB	2 1/4"



Hose Couplings | Manual Ball Valve



Did you know?

You can submit a parts request online online!

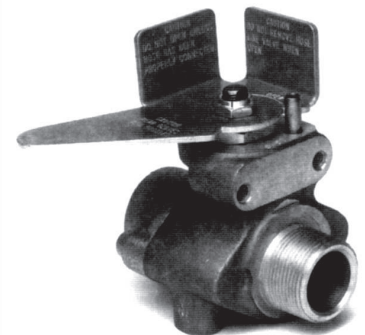
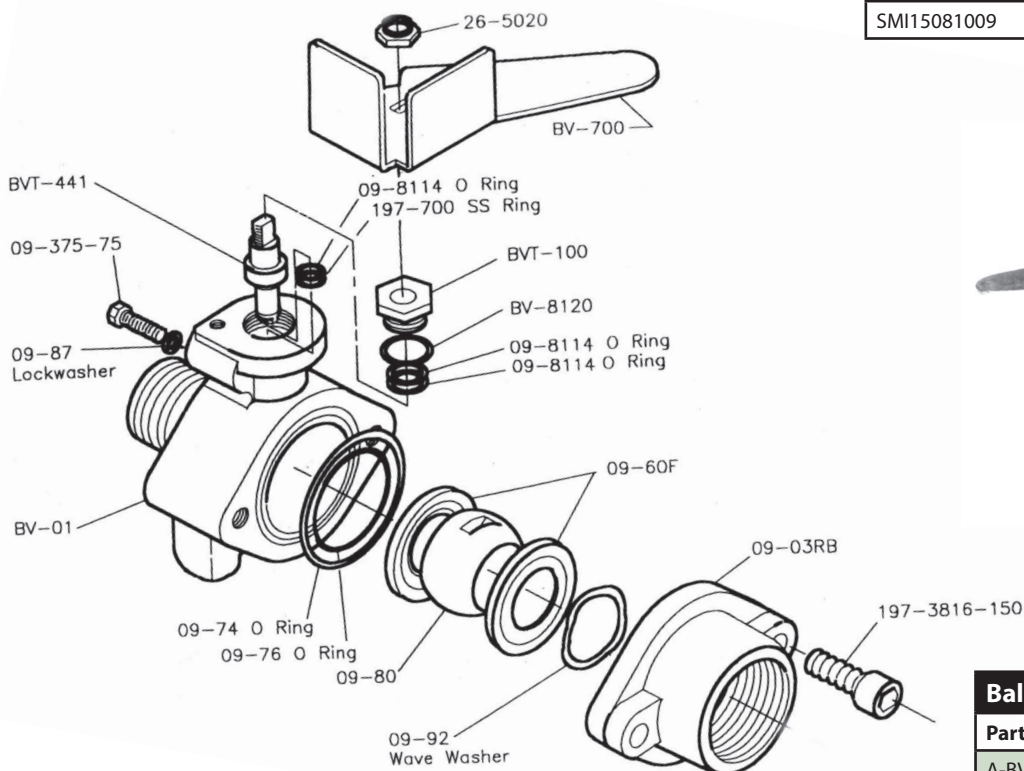
Simply visit
www.davisequip.com/parts-request/
 or scan this QR code.



Coming in late 2024, we'll offer the ability to search and pay for your parts all on our site- like any other e-commerce site.

Swivel Hose Adapter Unions

Part Number	Description
TH1404-4-4	1/4" MPT x 1/4" FPT
TH1405-4-4	1/4" FPT x 1/4" FPT
TH1404-6-6	3/8" MPT x 3/8" FPT
TH1405-6-6	3/8" FPT x 3/8" FPT
TH1404-8-8	1/2" MPT x 1/2" FPT
TH1405-8-8	1/2" FPT x 1/2" FPT
TH1404-12-12	3/4" MPT x 3/4" FPT
TH1405-12-12	3/4" FPT x 3/4" FPT
DMI15081006	1" MPT x 1" FPT
TH1405-16-16	1" FPT x 1" FPT
TH1404-16-20	1" MPT x 1 1/4" FPT
DMI15081007	1 1/4" MPT x 1 1/4" FPT
108-280F	1 1/4" FPT x 1 1/4" FPT
TH10404-16-20	1 1/4" FXLM
DMI15081008	1 1/2" x 1 1/2" FPT
SMI15081009	2" FPT x 2" FPT



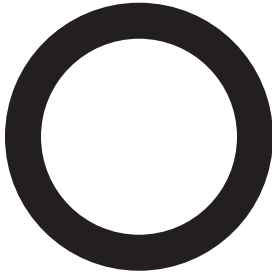
Ball Valves

Part No.	Description
A-BV	1 1/4" Manual Valve
A-BV-RK	Repair Kit

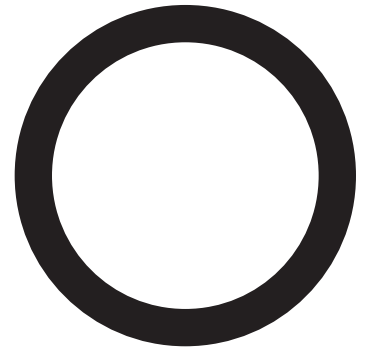
Anhydrous Gaskets

Acme Gaskets

Acme gaskets are made of Buna-N material and are designed for NH₃ service. They are shown in actual size and fit acme thread end of valves, adapters, speed couplers, and quick couplers.

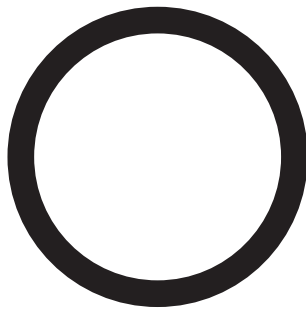


Part No.	Description
22-71-F	1 3/4" Acme Gasket

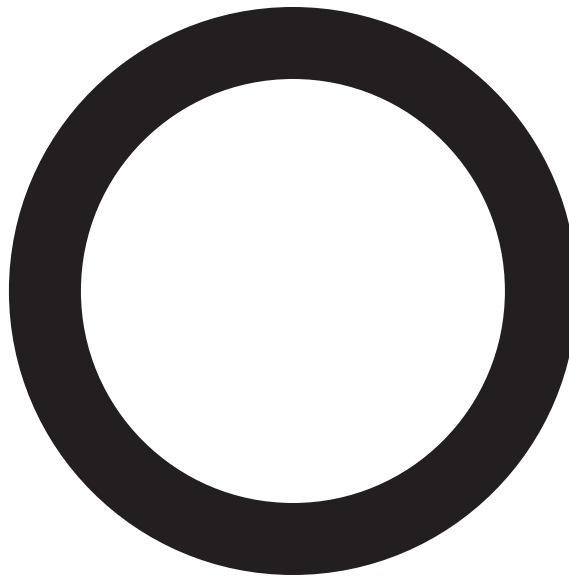


Part No.	Description
20238	2 1/4" Acme Gasket
129055	2 1/4" Acme O-Ring

Gaskets Shown Are Actual Size



Part No.	Description
130128	Junior Volume Gauge

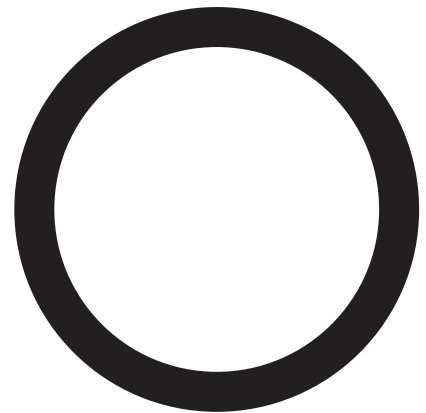


Part No.	Description
20243	3 1/4" Acme Gasket
127069	3 1/4" Acme O-Ring



N-Serve Poly Tank Lid - 110 Gallon	
Part No.	Description
SOLLID5	Lid (sharp thread)
NORLID5	Lid (dull thread)
60366	Gasket*

* Sold Separately



Part No.	Description
20059	Senior Volume Gauge

Sealants - Teflon Tape - Hose Barbs - Plugs - Y Casting



Rectorseal No. 5

Part No.	Size
DE45960	1 pint

Rectorseal TRU-BLU

Part No.	Size
COMRECTRU12PT	½ Pint



PLS Premium Thread and Gasket Sealant



Part No.	PLS 2
PB04	¼ Pint Can



Teflon Tape

Part No.	Size
DE45962	¾"
DE45963	½" natural gas (yellow)
DE45962BM	¾" Blue Monster



Y Dual Hose Consolidators

Part No.	Description
A-200150SS-WY	SS Y Fitting, 2" MPNT x 1 ½" MPNT
BBY200125	1 ¼" FPT Dual Inlet x 2" FPT Outlet
BBY200150	1 ½" FPT Dual Inlet x 2" FPT Outlet
A-SF-CBKT2	Adjustable SS Bracket



Plugs

Part No.	Description
A-1135	Plug - ¼" MPNT
A-6135	Plug - ⅜" MPNT



Manifold Hose Barbs

Part No.	Thread Size	Hose Size	Description
A-1132	¼" MPNT	⅜"	Hose Barb - Plain
A-1132-2	¼" MPNT	⅜"	Hose Barb w/ ⅜" Orifice
A-1138	¼" MPNT	½"	Hose Barb - Plain
A1138-2	¼" MPNT	½"	Hose Barb w/ ⅜" Orifice
A-6132	⅜" MPNT	⅜"	Hose Barb - Plain
A-6132-2	⅜" MPNT	⅜"	Hose Barb w/ ⅜" Orifice
A-6138	⅜" MPNT	½"	Hose Barb - Plain
A6138-2	⅜" MPNT	½"	Hose Barb w/ ⅜" Orifice

Manifolds - Splitters - Hydrostatic Relief - Vapor Relief Valves

John Blue Impellicone Splitter & Manifold



Part No.	Description	Needle	O-Ring
IPS2-4	4-Port Impellicone Splitter, Inlet	JB116162-01	JB116163-01
SM	Mount for Splitter	JB116162-01	JB116163-01
M	1" Elbow - 90° Elbow with Mount	-	-
IP-1300	13 Outlet Manifold	-	-
IP-0600	6 Outlet Manifold	JB115520-01	JB115521-01
IPS-6	6-Port Impellicone Splitter, Inlet	JB115520-01	JB115521-01



Continental A-BWS Ammonia Splitter



Part No.	Description
A-360SP	3-10 Outlets, Up to 200 pounds N per Acre
A-360-SP-J	3-6 Outlets, 200 and up pounds N per Acre

Continental A-360 Series Manifold System

Part No.	Description
A-360SP-5	Manifold, 5 Port
A-360SP-6	Manifold, 6 Port
A-360MA-C	3-16 Outlets, Up to 225 pounds N
A-360MA-J	3-16 Outlets, 225 pounds N and up

Squibb Taylor Manifolds & Splitters

Part No.	Description
111670	21- Port Junior Manifold
111665	16- Port Sweet 16 Manifold
111655	2-Way Splitter, 1" Inlet
111660	3-Way Splitter, 1" Inlet
111675	4-Way Splitter, 1" Inlet
111669	5-Way Splitter, 1" Inlet
111259	16 outlet - 1/4" FPT



Hydrostatic Relief Valve

Part No.	Size	PSI	Dust Cap
A-400	1/4"	375	C400-DC
110815	1/4"	350	S110817
A-400-A	1/4"	312	C400-DC
A-400-C	1/4"	350	C400-DC



Continental Bleed Down Valve

Part No.	Description
A-411-HB	Bleed Down Valve
A-410-HB	Outage Valve w/HB



Relief Valve Manifold

Part No.	Tank Conn.	Brand	Includes	Packing Kit
A-462	2" FPT	Continental	Manifold Only	CA-462-RK
110835	2" FPT	Squibb	Manifold Only	S119376
110855	2" FPT	Squibb	Manifold and (2) Reliefs	S119376



Vapor Relief Valves

Part No.	Size	Brand
A-402-VA	3/4"	Continental
110750	3/4"	Squibb
A-417-AB	1 1/4"	Continental
110795	1 1/4"	Squibb



Relief Valve Adapters

Part No.	Inlet Conn.	Outlet Conn.	Port
110825	1" MPT	1" FPT	1/4"
110830	1 1/4" MPT	1 1/4" FPT	1/4"
110832	1 1/2" MPT	1 1/2" FPT	1/4"



Bleeder Valve

Part No.	Description
111411	1/4" Bleed Valve, T Handle
111410	1/4" Bleed Valve, Knurled Handle
A-410	1/4" Outage Valve
A-411	1/4" Bleed Valve, T Handle
A-411-S	1/4" Bleed Valve, Knurled Handle

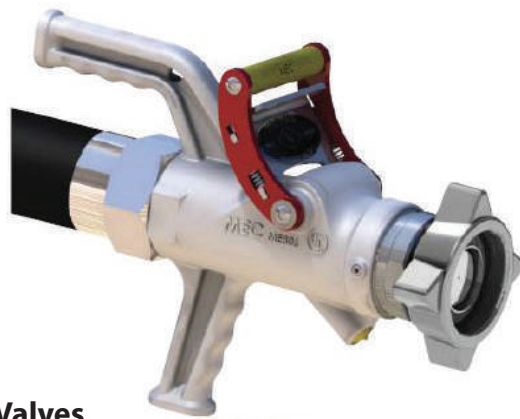


Outage Valve Length = Diameter of Tank x .208

Squibb-Taylor Valves | Remote Shutdown

Squibb Taylor Hose End & Transfer Valves

Part No.	Inlet	Outlet	Body Type
110505	1" FNPT	1" FNPT	Globe
110515	1" FNPT	1" FNPT	Angle
110516	1 1/4" FNPT	1 1/4" FNPT	Angle



Squibb Taylor Turbo-Flo LE Transfer Valves

Part No.	Inlet	Outlet	Discharge @ Disconnect
150840	2" FNPT	3 1/4" Female Acme	.09 CC
150278	2" FNPT	3 1/4" Female Acme	.09 CC



NH₃ Remote Shutdown & Push Button

Part No.	Description
113800	Storage Remote Shutdown
113801	15 AMP Converter Box
113805	1 - Function Transmitter
113806	Push To Close Button - Electric 5 AMP
113813	Push To Close Button - Electric 15 AMP
113802	Solenoid Valve Module for Air Actuators

Relief Valve Caps - Ammonia Gauges



Ammonia Gauges

1/4" Bottom Stem, 304 Stainless Steel

Diameter	Part No.	Graduation			PSI Range
		Number	Major	Minor	
2 1/2"	AG60	10	10	1	0-60
	AG400	50	50	10	0-400
	AG150	20	10	5	0-160
4"	AG60-4	10	10	2	0-60
	AG150-4	20	10	5	0-160

Liquid-Filled Gauges

All Stainless Steel Case & Internals

1/4" Bottom Stem, Stainless Steel

Diameter	Part No.	Graduation			PSI Range
		Number	Major	Minor	
2 1/2"	WGGSS60	10	10	2	0-60
	WGGSS100	20	10	2	0-100
	WGGSS160	20	10	2	0-160
	WGGSS400	50	50	10	0-400
4"	WGGSS60-4	10	10	2	0-60
	WGGSS160-4	20	20	2	0-160

Relief Valve Caps

Part No.	Description
400-DC	Dust Cap - 1/4"
A-402-N-DC	3/4" Plastic Cap
A-417-DC	1 1/4" Plastic Cap
122665	Rubber Dust Cap
RAA3135	1 1/4" Rain Cap



Plastic Screw on Lens

Part No.	Description
DE45030	Lens



Ball Valve

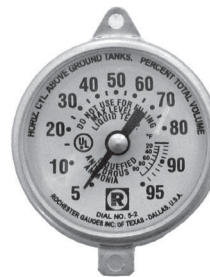
Poly with Buna Seal

Part No.	Description
LVHB038V	3/8" 2 Way Ball Valve
LVHB050V	1/2" 2 Way Ball Valve



Rochester Dial

Part No.	Description
20061	Senior Flat Dial
20064	Jr. Flat Dial



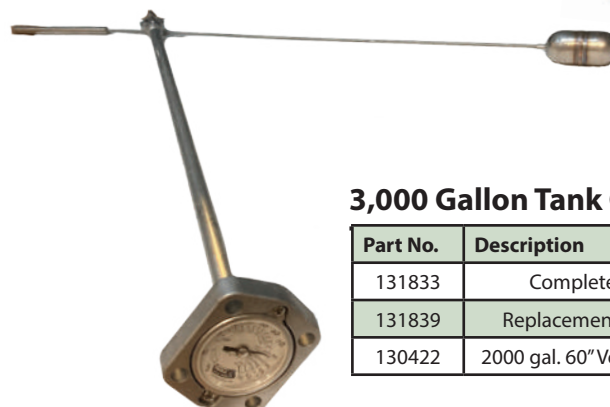
NH₃ Volume Gauge

Part No.	Mount	Tank Dia.
130435	Top Senior	37"
130437	Top Senior 1000	41"
130425	Top Senior 1450	46"
C20324	Top Senior	48"
C20321	45° Angle Senior	30"
C20322	45° Angle Senior	37"
130447	45° Angle Senior	41"
R30017	45° Angle Senior	46"
130457	End Senior	41"
C20327	End Senior	46"
290000	Top Senior Stainless Steel	41"
290001	Top Senior Stainless Steel	46"
130119	Screws (4 Per Gauge)	
130120	Straight SR - Screw	
130461	End Mount Gauge, 4" Dial	46"
130131	Gasket for S130461	

Find gaskets
on pg. 184

Taylor Dial

Part No.	Description
130018	Squibb Dial
130010	2" Visible Dial



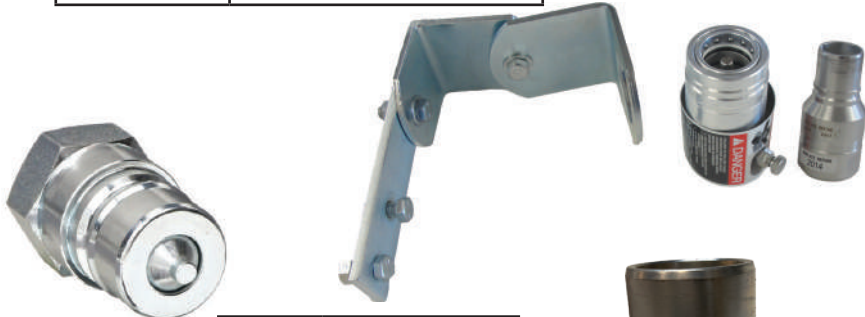
3,000 Gallon Tank Gaugesrc 73"

Part No.	Description
131833	Complete Gauge
131839	Replacement Dial Assy.
130422	2000 gal. 60" Volume Gauge

NH₃ Breakaway Couplers | Safety Containers

1" Pioneer Breakaway Coupler with Bracket

Part No.	Description
4555-6	1" Female Assy. w/ Bracket



Part No.	Description
4510-6M	1" Male Tip
4510-6	1" Male Tip w/FPT

Part No.	Description
4510-7	1 1/4" Male Tip



Seals for Pioneer Coupler

Part No.	Description
P91022	Nylon O' Ring
P91021	Nylon Retainer

Water Can Hose

Clear Vinyl Hose With 1/2" Sidewall

Part No.	Description	Size	Amount Required	Reel Size
G96037	P & H Top Mount Container	5/8"	6'	100'
G96037	P & H Side Mount Container	5/8"	2'	100'
G96041	Ag Systems Water Container	3/4"	6'	100'
G96040	Farmland Water Container	1/2"	6'	100'
G96041	FEi CRM - 6000-35 Container	3/4"	4'	100'

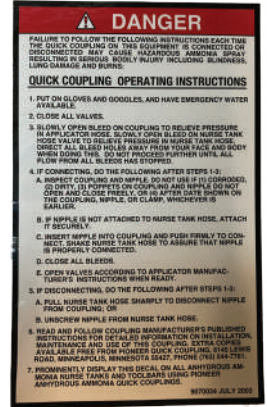


Part No.	Description
F85000	Top Mount Water Container (comes with Strap Kit)
F85011	Strap Kit

1 1/4" Pioneer Breakaway Coupler

Part No.	Description
4555-7	1 1/4" Female Assy. w/ Bracket

Part No.	Description
9070034	Decal-Operating Instructions



Part No.	Description
45-600-6A	Snap Ring



Safety Kit

Safety Equipment Container provides weatherproof protection for gloves, goggles, respirator, etc. Mounts on any sized tank either individually or in conjunction with P & H safety water containers. Comes complete with mounting hardware and decal.



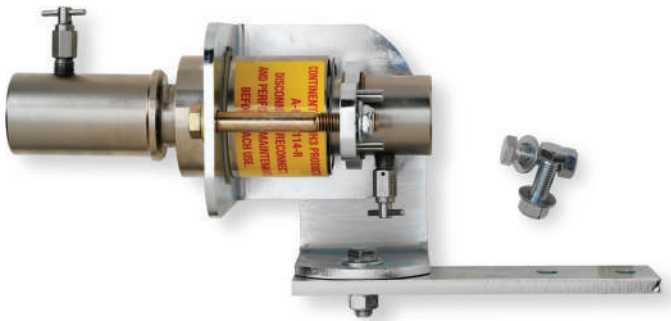
Part No.	Description
75649	Safety Equipment Container

Water Containers

Part No.	Description
F85000S	Side Mount Water Container
F85002	Screw on Lid



Breakaway Couplers



Breakaway Coupler with Bracket

Part No.	Description
A-HFC-114R	1 1/4" High Flow Tool Bar Coupler



Continental NH₃ SWV Breakaway Coupler

Part No.	Description
A-SWV-125	1 1/4" Full Flow
A-SWV-150G	1 1/2" Full Flow
A-SWV125150-RK	Repair Kit

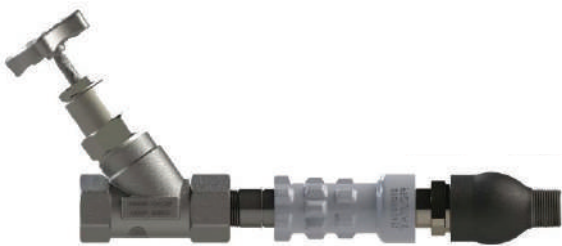


Integral Shear Check-Lock

Part No.	Description	Inlet Conn.	Outlet Conn.
110630	Safety Coupling	1" MNPT	1 3/4" F. Acme
110635	Safety Coupling	1 1/4" MNPT	2 1/4" F. Acme
110631	Check Valve w/ ACME O-Ring	1 3/4" F. Acme	1 1/4" MNPT
110636	Check Valve w/ ACME O-Ring	2 1/4" F. Acme	1 1/4" MNPT
110632	Bell Adaptor	1 1/4" FNPT	1" MNPT

In-Line Breakaway Coupling

Part No.	Inlet Conn.	Outlet Conn.	Description
113250	1 1/4" FNPT	1 1/4" FNPT	Breakaway Coupling



Flo-Max Couplers

Part No.	Description
113026	1 1/4" Flo-Max Less Bracket
113027	1 1/4" Flo-Max w/ Std Bracket
113028	1 1/4" Flo-Max w/ EZ Bracket
113202	1 1/2" Flo-Max w/ EZ Bracket
113019	EZ Bracket (Fits FM & Pioneer)
111595	Spacer for 1" Pioneer (Required)
111596	Spacer for 1 1/4" Pioneer (Required)



FM 126/125 Replacement Parts

Item No.	Part No.	Description
113044	FM125-0022	Repair Kit w/ Wrench
113041	FM125-0023	Plunger Kit
113046	FM125-0024	O-Ring Kit
113048	FM P5-288-RO	Quad Ring
119395	ST108-2003	O-Ring for Male Tip
119439	P5-133-R0	O-Ring
119438	P5-015-R4	O-Ring
113013	FM126/125-2000	Safety Decal
119394	FM125-5003	Male Plug
113047	SFM125/126-1100	Female Half
113049	SFM125/126-1200	Male Half

Nurse Tank Decals



Part No.	Description
CD35026	DOT 'UN' Number



Part No.	Description
CD35022	Anhydrous Ammonia - Circular (4" Letters)
CD35025	Anhydrous Ammonia - Rectangular (4" Letters)
CD35033	Anhydrous Ammonia - Green on White (2" Letters)

Part No.	Description
CD35032	Inhalation Hazard (2" Letters)
CD35031	Inhalation Hazard (3" Letters)
CD35037	Inhalation Hazard (6" Letters)



Part No.	Description	Qty.
CD35036	VAPOR	12 per sheet
CD35035	LIQUID	12 per sheet

Part No.	Description
CD5014	60' Spread Decal
CD5013	40' Spread Decal
CD5015	50' Spread Decal



Part No.	Description
CD35006	Water Decal

Part No.	Description
CD35009	NH ₃ 82% Nitrogen Decal



Part No.	Description
CD35027	Liquified



Part No.	Description
CD35023	Ammonia - 6"



Part No.	Description
CD35024	Anhydrous - 6"



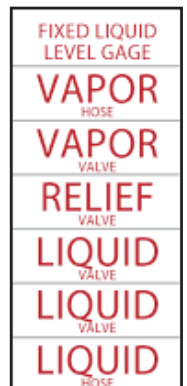
Part No.	Description
CD35012	Wear Your Goggles Decal



Part No.	Description
CD35003	Caution Ammonia - Red Letters - 6"
CD35002	Caution Ammonia - Circle - 5"

Part No.	Description
CD35004	ID Decal

Seven individual 1" x 3" red on white valve identification decals on one sheet.



Part No.	Description
CD35005	3 pt. Caution



Part No.	Description
CD35016	Yellow Vapor



Part No.	Description
CD35015	Orange Liquid



Metermatic Parts - Meters - Shut-Off Valves

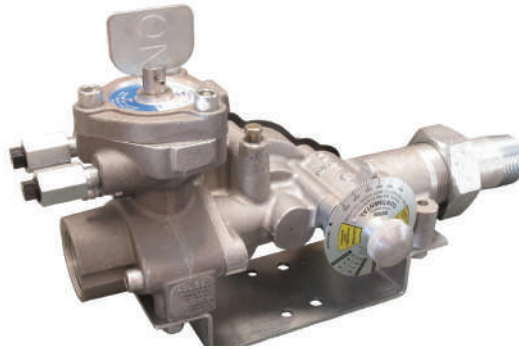
Repair Kits	
Part No.	Description
A-4125-RS	2500 Repair Kit
A-4125-RS	4100 Repair Kit

Rotary Actuator	
Part No.	Description
R-6572	Rotary Actuator

Singly 1" & Multiple (14) Outlets	
Part No.	Description
C-4103-RPR	Single 1" Outlet
C-2503-RPR	Single 1" Outlet
C-4100-RPR	Multiple Outlet (14)
C-2500-RPR	Multiple Outlet (14)

SINGLE DIAL SETTING

C-2500: 250-2500# Nitrogen per Hour
C4100: 250-4100# Nitrogen per Hour



Continental NH₃ B9500 Meter

Part No.	Description
B-9500-M	B9500 with 1 1/4" single outlet



Continental NH₃ Shut-Off Valve R-9590

Part No.	Description
R-9590	1" FPT
R-9590-B	1 1/4" FPT



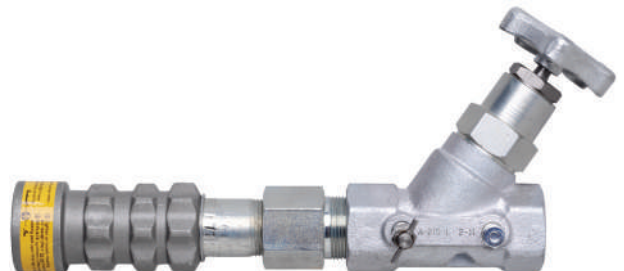
Continental Electronic Control & Shut-Off Ball Valve

Part No.	Description
A-CBVT-125-CT	Ball Valve
A-BVT-1-SO	1" Shut-Off Valve
A-BVT-125-SO	1 1/4" Shutt-Off Valve
A-CBVT-125-CT	1 1/4" 120 Degree Control Valve Only
A-BVT-125-CT	1 1/4" 90 Degree Control Valve Only



Continental High-Flow Valves

Part No.	Inlet Conn.	Outlet Conn.	Coupling Used
A-215-L	1 1/4" MNPT	1 3/4" ACME	Iron
A-216-L	1 1/4" MNPT	2 1/4" ACME	Iron
A-217-L	1 1/2" MNPT	2 1/4" ACME	Iron



Continental Valves | Squibb Taylor Valves

Globe Valves

Part No.	Type	Thread Size	Repair Kit
B-1350-C	Globe, 45	1" FPT	CA-2212-RK
A-2525-H	Globe, 45	1 1/4" FPT	CA-25H-RK
A-2550-H	Globe, 45	1 1/2" FPT	CA-2550H-RK
A-2700	Globe, 45	2" FPT	CA-26-RK
B-1650	Globe	1" FPT	CA-2212-RK
A-1625	Globe	1 1/4"	CA-25H-RK



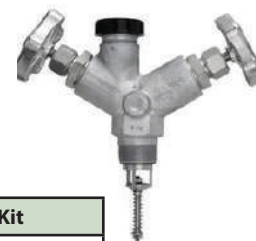
Angle Valves

Part No.	Type	Thread Size	Repair Kit
B-1250	Angle	1" FPT	CA-2212-RK
A-2425	Angle	1 1/4" FPT	CA-24-RK
A-2450	Angle	1 1/2" FPT	CA-24-RK
A-2600	Angle	2" FPT	CA-26-RK



NH₃ Fill and Vapor Valve

Part No.	Inlet Conn.	Outlet Conn.	Flow Check	Repair Kit
B-1201	1 1/4" MPT	1 3/4" ACME	42 GPM	CA-2212-RK



NH₃ Combo Valve

Part No.	Inlet Conn.	Outlet Conn.	Flow Check	Repair Kit
B-1205	1 1/4" MPT	1" FPT & 1 3/4" Acme	42 GPM	CA-2212-RK

NH₃ Withdrawal Valve

Part No.	Inlet Conn.	Outlet Conn.	Flow Check	Repair Kit
B-1206-E	1 1/4" MPT	1" FPT	42 GPM	CA-2212-RK
B-1206-F	1 1/4" MPT	1 1/4" FPT	42 GPM	CA-2212-RK
A-1406-F	1 1/4" MPT	1 1/4" FPT	45 GPM	CA-25H-RK
A-1406-G	1 1/4" MPT	1 1/2" FPT	45 GPM	CA-25H-RK
A-1507-F	1 1/2" MPT	1 1/4" FPT	60 GPM	CA-25H-RK
A-1507-G	1 1/2" MPT	1 1/2" FPT	60 GPM	CA-25H-RK
A-1708-GA	1 1/2" MPT	2 1/4" ACME	60 GPM	CA-25H-RK
A-1507-F-45	1 1/2" MPT	1 1/2" FPT	45 GPM	CA-25H-RK
A-1708-F	1 1/2" MPT	1 3/4" ACME	60 GPM	CA-25H-RK



NH₃ Globe Valve

Inlet / Outlet Connections	Part No. Globe	Repair Kit
1/2" FNPT	110535	119279
3/4" FNPT	110255	119039
1" FNPT	110280	119059
1 1/4" FNPT	110320	119109
1 1/2" FNPT	110355	119109
2" FNPT	110375	119169
2" ANSI Flanged	110378	119169
3" FNPT	110415	119217
3" ANSI Flanged	110420	119217



Squibb Taylor Hi-Flow Hose End Valves and Valve Assemblies

Part No.	Inlet Conn.	Outlet Conn.	Coupling Used	Repair Kit
110333	1" FPT	1" FPT	Aluminum	329-22
110334	1" FPT	1 1/4" FPT	Iron	S119228
110336	1 1/4" FPT	1 1/4" FPT	Iron	S119228
110338	1 1/4" FPT	1 1/4" FPT	Aluminum	333-22
110337	1 1/2" FPT	1 1/2" FPT	Aluminum	333-22
110857	1" FPT	1 3/4" FPT	Iron	S119059
110860	1 1/4" FPT	1 3/4" FPT	Iron	S119228
110862	1 1/4" FPT	2 1/4" FPT	Iron	S119228
110901	1 1/2" FPT	2 1/4" FPT	Aluminum	333-22



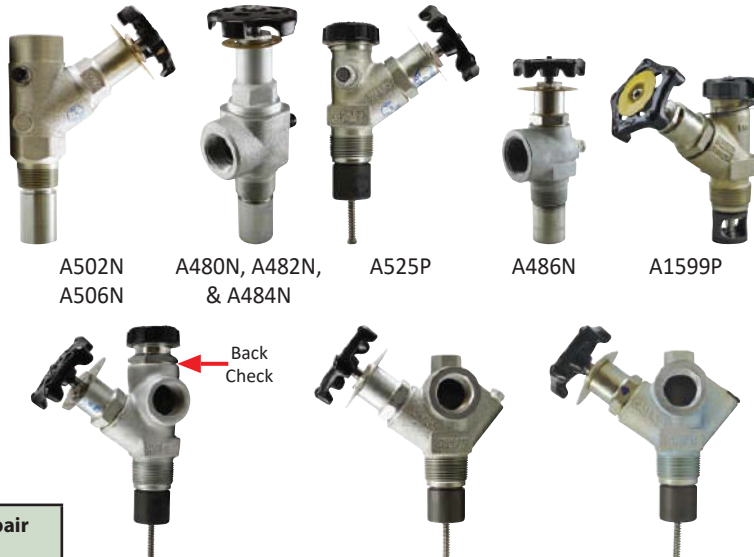
Squibb Taylor Valves | RotaSeal

Hi-Flow Nurse Tank Valves							
Item Number	Part Number	Application	Tank Connection	Outlet Connection	Fill Rate @ 50 PSI Δ	Excess Flow Rate	Repair Kit
111155 •	A525P	Filling	1 1/4" MNPT	1 3/4" M. Acme	100 GPM	45 GPM	310-22 (119059)
		Vapor Return			-----		
111153 •	A522P #	Filling	1 1/4" MNPT	1" FNPT	75 GPM	45 GPM	310-22 (119059)
		Liquid Withdrawal			-----		
111187	A1599P #	Filling Only	1 1/4" MNPT	1 3/4" M. Acme	93 GPM	-----	
110776 •	A502N-45	Filling	1 1/2" MNPT	1 1/2" FNPT	150 GPM	45 GPM	480-22 (119306)
		Liquid Withdrawal			-----		
110777 •	A502N-60	Filling	1 1/2" MNPT	1 1/2" FNPT	150 GPM	60 GPM	480-22 (119306)
		Liquid Withdrawal			-----		
110778 •	A506N-45	Filling	1 1/2" MNPT	1 1/4" FNPT	150 GPM	45 GPM	480-22 (119306)
		Liquid Withdrawal			-----		
111150 •	A520R *	Liquid Withdrawal	1 1/4" MNPT	1" FNPT	-----	45 GPM	310-22 (119059)
111151 •	A521P				-----		
110733	A486N-45 +				-----		
110771 •	A484N-45 ~				-----		
110772 •	A480N-45 ~		1 1/2" MNPT	1 1/4" FNPT	-----	60 GPM	480-22 (119306)
110773 •	A480N-60 ~				-----		
110774 •	A482N-45 ~				-----		
110775 •	A482N-60 ~		-----	1 1/2" FNPT	-----	60 GPM	

* With Built-In Relief. # Back Check. ~ With A1327 Hydrostat Installed. + Low Profile Design For Older Tanks.

• Nominal Size Chart For Plumbing on Page 102.

Sizing Excess Flows - Refer To Local Codes.



ID Tags



Triangle - 45 GPM



NH₃ Angle Valve

Inlet / Outlet Connections	Part No. Globe	Repair Kit
1/2" FNPT	110540	119279
3/4" FNPT	110260	119039
1" FNPT	110300	119059
1 1/4" FNPT	110335	119109
1 1/2" FNPT	110365	119125
2" FNPT	110395	119169
2" ANSI Flanged	110398	119169
3" FNPT	110425	119217
3" ANSI Flanged	110429	119217



RotaSeal

Part No.	Description	Repair Kit
112051	3/4" MNPT x FNPT	112052
112056	1" MNPT x 1" FNPT	112057
112061	1 1/4" MNPT x 1 1/4" FNPT	112065

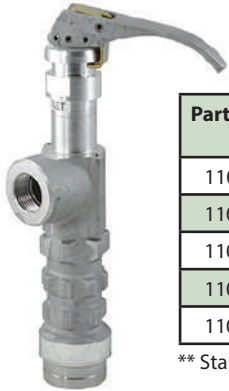
Continental Valves | Squibb Taylor Valves



Riser Valves

Part No.	Description
110600	Bushing

Part No.	Inlet Conn.	Outlet Conn.	Max Flow	Hyd. Relief Included	Repair Kit
110733	1 1/4" MPT	1 1/4" FPT	45 GPM	NO	119059
110586	2" MPT	1" FPT	70 GPM	NO	119059
110588	2" MPT	1 1/4" FPT	70 GPM	NO	119059
110591	2" MPT	1 1/4" FPT	95 GPM	YES	119306
110593	2" MPT	1 1/4" FPT	110 GPM	YES	119306
B-1208-FR	1 1/4" MPT	1 1/4" FPT	70 GPM	NO	NA
B-1208-FRB	1 1/4" MPT	1 1/4" FPT	70 GPM	YES	NA
B-1508-FR	1 1/2" MPT	1 1/4" FPT	95 GPM	NO	NA
B-1508-FRB	1 1/2" MPT	1 1/4" FPT	95 GPM	YES	NA



Angle Hose End Valves Minimum Loss Hose End Valves

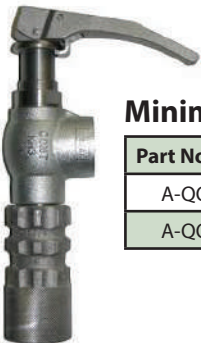
Part No.	Inlet Conn.	Outlet Conn.	Body Type	Repair Kit
110450	1" FPT	1 3/4" ACME	Angle **	S119351
110505	1" FPT	1" FPT	Globe	S119361
110515	1" FPT	1" FPT	Angle	S119361
110516	1 1/4" FPT	1 1/4" FPT	Angle	S119361
110451	1 1/4" FPT	1 3/4" ACME	Angle **	S119351

** Standard minimum loss

Riser Safety Shear

Part No.	Description	Size	GPM
53-RSS	Shear Only	1"	53
72-RSS	Shear Only	1 1/4"	72
98-RSS	Shear Only	1 1/4"	98
JJ6-710	Bungi Cord Ring	1 1/4"	-
JJ6-700	Bungi Cord Ring	1"	-

Part No.	Des.	Flow
A-53-RSS	1"	53 GPM
A-72-RSS	1 1/4"	72 GPM
A-98-RSS	1 1/4"	98 GPM



Minimum Bleed Valves

Part No.	Size	Repair Kit
A-QOVM-100	1"	CA-QOVM-RK
A-QOVM-125	1 1/4"	CA-QOVM-RK



Fast Fill Minimum Bleed Valve

Part No.	Size	Repair Kit
A-QOVM-125FF	1 1/4"	CA-QOVMFF-RK

3" Globe Valves

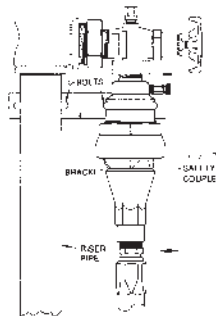
Part No.	Size	Repair Kit
A-2800	3"	CA-2800-RK
A-2900	3"	CA-2800-RK

- Powered coating
- Standard or high-flow design
- 20% faster flow with high-flow valve
- Affordably priced!



Tri-Pod™ Safety Coupler

Part No.	Inlet Conn.	Outlet Conn.	Capacity
113051	1" MPT	1" MPT	55 GPM
113056	1" MPT	1" MPT	77 GPM
113059	1 1/4" MPT	1 1/4" MPT	126 GPM
113065	3" MPT	3" MPT	350 GPM



Rego Valves



NH₃ Globe Valve

Part No.	Size	Repair Kit
RA7507AP	1"	RA7507-50
RA7509BP	1 1/4"	RA7509-50
RA7511AP	1 1/2"	RA7511-50
RA7513AP	2"	RA7513-50
RA7517AP	3"	RA7515-50



NH₃ Angle Valve

Part No.	Size	Repair Kit
RA7508AP	1"	RA7507-50
RA7510BP	1 1/4"	RA7509A-50
RA7512AP	1 1/2"	RA7511-50
RA7514AP	2"	RA7513-50
RA7518AP	3"	RA7515-50



NH₃ Quick Acting Globe & Angle Valve

Part No.	Size	Repair Kit
RA7708L	1" Angle	RA7707-50
RA7707L	1" Globe	RA7707-50



NH₃ Fill Valve

Part No.	Description	Repair Kit
RA8016DP	NH ₃ Fill Valve	RA8016B-50

NH₃ Withdrawal Valve

Part No.	Description
RA8017DH	NH ₃ Withdrawal Valve
RA8016B-50	Repair Kit



NH₃ Withdrawal Valve

Part No.	Description
RA8017DP	NH ₃ Withdrawal Valve
RA8016B-50	Repair Kit



Quick-Acting Minimum Loss Hose-End Valve

Part No.	Description	Repair Kit
RA7797	Hose-End Valve	RA7797-50

REGO

Combination Fill / Withdrawal Valve

Part No.	Description	Repair Kit
RA8018DP	Combination Valve	RA8016B-50
RA8018-9	Back Check	-



Rectorseal &
Teflon Tape
p. 185

Miscellaneous Anhydrous Ammonia Items

Master Model 4607A & 4607B Gauges

Tank Dia.	Tank Opening	Model Type	Part No.	Std. Dial
72"	2"	A	S138000	130090
	2 1/2"	B	S138005	130090
82"	2"	A	S138010	130090
	2 1/2"	B	S138015	130090
84"	2"	A	S138020	130090
	2 1/2"	B	S138025	130090
96"	2"	A	S138030	130090
	2 1/2"	B	S138035	130090
104" - 108"	2"	A	S138040	130090
	2 1/2"	B	S138045	130090
130'	2"	A	S138050	130090
	2 1/2"	B	S138055	130090



Snappy Joe

Part No.	Description
122585	1 1/4" FNPT
122590	2" FNPT
122595	3" FNPT
LP-PSSI	Helper Spring Kit



Flow Indicators

Service	Pipe Size	Part Number	Includes
NH ₃ or LP-gas	2"	130050	5305 Adapter (2" MNPT)
	2 1/2"	130055	5318 Adapter (2 1/2" MNPT)
	3"	130060	5305 Adapter (2" MNPT)

Container Thermometers

Container Connection	Stem Length	Part No.
1/2" MNPT	4"	121245
	6"	121250



Continental In-Line Back Check Valves

Part No.	Application	Inlet Conn.	Outlet Conn.
A-14BC	In-Line	1 1/4"	1 1/4"
B-15BC	In-Line	1 1/2"	1 1/2"

Flexible Connectors

Part Number	MNPT Size	Length	Material
S200820	1 1/4"	18"	Stainless
S200825	1 1/4"	24"	Stainless
S200830	2"	18"	Stainless
S200835	2"	24"	Stainless
S200840	3"	18"	Stainless
S200845	3"	24"	Stainless



Excess Flow Valves

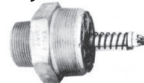
Part No.	Type	Inlet Conn.	Outlet Conn.	Closing Flow
111335	A	1 1/4" MPT	1 1/4" FPT	50 GPM
111381	A	2" MPT	2" FPT	110 GPM
111356	B	2" MPT	2" FPT	95 GPM
111371	B	3" MPT	2" FPT	225 GPM
111340	C	1 1/4" MPT	1 1/4" FPT	50 GPM
111347	C	2" MPT	1 1/4" MPT	95 GPM
111375	C	3" MPT	2" MPT	165 GPM
111382	C	3" MPT	2" MPT	225 GPM
111361	C	2" MPT	2" MPT	95 GPM
111364	C	3" MPT	3" MPT	165 GPM
111365	C	3" MPT	3" MPT	225 GPM
A-EFV-45-G	-	1 1/2"	1 1/2"	45 GPM
A-EFV-45	-	1 1/4"	1 1/4"	45 GPM



Style A



Style B



Style C



Back Check

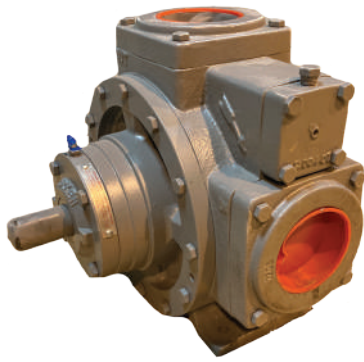


Back Check Valves



Part No.	Application	Inlet Conn.	Outlet Conn.
111383	Tank or In-line	3/4" MPT	3/4" FPT
111385	Tank or In-line	1 1/4" MPT	1 1/4" FPT
111390	Tank or In-line	2" MPT	2" FPT
111395	Tank or In-line	3" MPT	3" FPT
111400	Tank or In-line	2" MPT	2" FPT
111398	In-line Full Flow	1 1/4" FPT	1 1/4" FPT
111399	In-line Full Flow	1 1/2" FPT	1 1/2" FPT

Corken Pump Info-Vapor King Transfer



Positive displacement pump line that is designed for stationary applications at bulk plants.

- Only Corken Coro-Vane pumps have heavy duty roller bearings for longer service life. The bearings are interchangeable in all sizes of Coro-Vane pumps.

- All parts, including the hydraulically self adjusting blades, are easily accessible for inspection or replacement without disturbing the piping.
- Models 521 and 1021 have a built-in internal relief valve for added safety.
- Flanges of ductile iron save money by eliminating pipe unions and also simplify installation. Steel slip on welding flanges also available.

Specifications

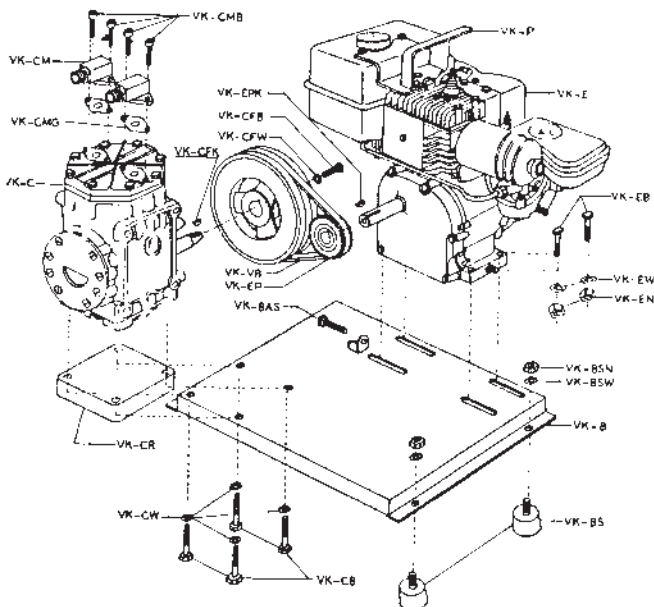
Suction Flange:	2 1/2" (521) 3" (1021)
Discharge Flange:	2" (521) 3" (1021)
Maximum RPM:	950
Minimum RPM:	420
Maximum Temperature:	225°F
Minimum Temperature:	-25°F
Maximum Working Pressure:	400 psig
Maximum Differential Pressure:	125 psig

Corken Pumps

Pump Model Number	RPM	Motor Horse Power	Capacity GPM*	Maximum Differential Pressure	Inlet	Piping Sizes Outlet	Bypass Vapor	Hose Sizes		Vapor
								Valve	Liquid	
521	780.00	5.00	70.00	55 psig	2"	1 1/2"	1 1/4"	1 1/2"	1 1/2"	1"
	950.00	7.50	95.00	65 psig	3"	2"	1 1/4"	1 1/4"	2"	1 1/4"
1021	780.00	7.50	165.00	30 psig	3"	2 1/2"	1 1/4"	2"	2"	1 1/4"
	950.00	10.00	200.00	30 psig	4"	3"	2"	2"	2"	1 1/2"
1521	640.00	10.00	260.00	20 psig	4"	3"	2"	2"	2"	1 1/2"
	780.00	15.00	325.00	25 psig	4" - 6"	4"	2"	2"	2"	1 1/2"
	860.00	20.00	350.00	25 psig	6"	4"	2"	2"	2"	1 1/2"

VAPOR KING

Vapor Transfer Compressor Unit



Features

- Saves Dollars - Eliminates Waste
- Saves Time - Faster Filing
- Eliminates Dangerous Vapor Loss
- Eliminates Crop Damage
- Does not Rely on Tank Pressure

Specifications

- 3 H.P. Briggs & Stratton Engine,
- 10 C.F.M. York Compressor, Inlet
- & Outlet Connections - 1/2",
- Portable - Total Weight 54 Lbs.

Vapor transfer units are used on NH₃ caddy applicators to transfer product from nurse tank to applicator when side dressing crops with anhydrous ammonia. The pump is used to build pressure in the nurse tank to force product into the applicator tank. Make sure you use high pressure NH₃ hose when transferring product. These are normally 1/2" NH₃ hoses, so please call for your various length requirements.

Vapor King

Part No.	Description
VK-1	Vapor Transfer Unit Complete Less Hoses
VK-C	Replacement Compressor Only
VK-CM	Manifold Block
VK-CMG	Manifold Block Gasket

Corken Pump & Compressor Repair Parts

521, 522 and T522

Part No.	Description	Qty Needed
1162-2	Cam	1
1163-2*	Side Plate	2
1166-1X1R	Rotor & Shaft (521)	1
1166-1X2R	Rotor & Shaft (522 & T522)	1
1168-7*	Blade – LP 1168-7 Blade LP - NH ₃	10
1172	Flange (specify 2" or 2 1/2")	2
1769-XRA*	Seal Assembly	2
1769	Bearing Housing	2
2754-X*	Bearing	2
2-234A*	Flange "O" Ring	2
2-261A*	Head "O" Ring	2
2904-X2	Repair Kit – LP Only- NH ₃ *(Includes Asterick Items)	1

T722, TS722, and TR722

Part No.	Description	Qty Needed
254-X4*	Thrust Absorber	1
1769-XRA*	Seal Assembly	2
1769	Bearing Housing	2
1849-1*	Cam	1
2754-X*	Bearing	2
3932*	Side Plate	2
3981*	Blade	6
3983-X2R	Rotor & Shaft	1
2-261A	Head "O" Ring	2
2905-X7	Repair Kit – Conversion LP - NH ₃ *(Includes Asterisk Items)	1
2905-X5	Repair Kit – 7226 LP - NH ₃	1
2905-X6	Conversion Kit – 722F to 722G LP - NH ₃	1

490 Compressor

Part No.	Description	Qty Needed
1063-400	Pressure Gauge – Gas	2
1302	Oil Pressure Gauge	1
1384-X	Crosshead Assembly	2
1452-1X1	Packing Set	2
1481	Head Gasket	1
1481-XA	Gasket – Set	1
1491	Connecting Rod Bearing	2 Pr.
1773	Rings	6
1776	Ring Expanders	6
1985-X	Piston Assembly	2
2439-X	Discharge Valve Assembly	2
2448	Cage	2
2532-X1	Suction Valve	2
3551-X1	Repair Kit	1

1021 and 1022

Part No.	Description	Qty Needed
1201-2	Cam	1
1208-1X1R	Rotor & Shaft (1021)	1
1208-1X2R	Rotor & Shaft (1022)	1
1209-1*	Side Plate	2
1308-9*	Blade – LP 1168-7 Blade LP-NH ₃	10
1358*	Grease Seal	2
1769-XRA*	Seal Assembly	2
1769	Bearing Housing	2
2754-X*	Bearing	2
2-112A*	"O" Ring	2
2-228A*	"O" Ring	2
2-245A*	Flange "O" Ring – 3"	2
2-249A*	Flange "O" Ring – 4"	2
2-268A*	Head "O" Ring	2
2906-X2	Repair Kit – LP - NH ₃ *(Includes Asterisk Items)	1

290 Compressor

Part No.	Description	Qty Needed
90-4RX2	Suction Valve	2
1063-400	Pressure Gauge – Gas	2
1132-X2	Crosshead Assembly	2
1281-XA	Gasket Set	2
3550-X1	Repair Kit	1

1021 and 1022

Part No.	Description	Qty Needed
1358*	Grease Seal	2
1769-XRA*	Seal Assembly	2
1792-1	Cam	1
2014*	Grease Seal	2
2754-X*	Bearing	2
3209*	Bearing Assembly	2
3350-X2R*	Rotor & Shaft	1
3476L*	Side Plate (Left)	1
3476R*	Side Plate (Right)	1
3477*	Blade	6
2-234A*	"O" Ring	2
2-238A*	"O" Ring	2
2-245A*	"O" Ring	2
2-249A*	"O" Ring	2
2-268A*	"O" Ring	2
2907-X3	Repair Kit – LP - NH ₃ *(Includes Asterisk Items)	1

Corken Coro-Vane

Stationary Pump Units

Four Sizes to Economically Handle Bulk Pumping Application

Corken Coro-Vane Stationary Pump - Models 521 or 1021

Ref No.	Part No.	Code No. (2")	Part No.	Code No. (3")	Description
	521 (2")		1021 (3")		
1	1162-2	DVS	1201-2	DVS	Cam
2	2832	DVS	2841	DVS	Case
3	1172-2 1/2	4907000	1206-3	4907001	Flange
4	2-234A	4907033	2-245A	4907034	Flange "O" Ring
5	2-212	4907002	2-212A	4907002	Adjusting Screw "O" Ring
6	2590	4907003	2590	4907003	1/8" Flush Steel Plug
7	2252	4907004	2252	4907004	Relief Valve Adjusting Screw
8	1174	DVS	1207	DVS	Valve Cap
9	1242	4907008	1227	4907009	Relief Valve Spring Guide
10	2-224A	4907011	2-228A	4907011	Relief Valve Cap "O" Ring
11	1240	4907012	1226	4907013	Relief Valve Spring
12	1241	4907014	1224	4907015	Relief Valve
13	1170	4907016	1309	4907017	Cam Key
14	1168-7 (10)	4907043	1308-9 (10)	4907044	Blade (NH ₃)
15	1166-1X1R	DVS	1208-1X1R	DVS	Rotor and Shaft Assy. w/2755
16	1358	DVS	1358	DVS	Grease Seal
17	1164-1	4907019	1164-1	4907019	Bearing Cap
18	2158	4907020	2158	4907020	Grease Zerk
19	1769	4907021	1769	4907021	Bearing Housing
20	1343	4907022	1343	4907022	Relief Fitting (Seal Vent)
21	1769XRA	DVS	1769XRA	DVS	Seal Assy. - Less Bearing
22	1163-2	DVS	1209-1	DVS	Side Plate
23	1161-2	DVS	1205-2	DVS	Head
24	2754X	DVS	2754X	DVS	Roller Bearing Complete
25	2760-244	4907027	2760-244	4907027	Retainer Ring
26	1343	4907022	1343	4907022	Relief Fitting
27	2-128A	4907028	2-128A	4907028	Shaft "O" Ring
28	1822	4907029	1822	4907029	Seat Adapter Plate
29	2-240A	4907030	2-240A	4907030	Adapter Plate "O" Ring
30	2-261A	4907035	2-268A	4907035	Case "O" Ring
31	2270	4907031	2270	4907031	Key
32	2649		2649		Name Plate
33					1/4" NPT Plug
34	2697X	*	2697-X	*	Retainer Assembly
35	2700	*	2700	*	Disc
36	2-223A	4907047	2-223A	4907047	Rotor "O" Ring
37	2696	*	2696	*	Rotor
38	2-227A	4907010	2-227A	4907010	Seat "O" Ring
39	2695	*	2695	*	Seat

- Model 321 – Capacities up to 40 GPM (151 Lit/Min) at 950 RPM
- Model 521 – Capacities up to 90 GPM (341 Lit/Min) at 950 RPM
- Model 1021 & F1021 – Capacities up to GPM (757 Lit/Min) at 950 RPM
- Model F1521 – Capacities up to 350 GPM (1325 Lit/Min) at 860 RPM



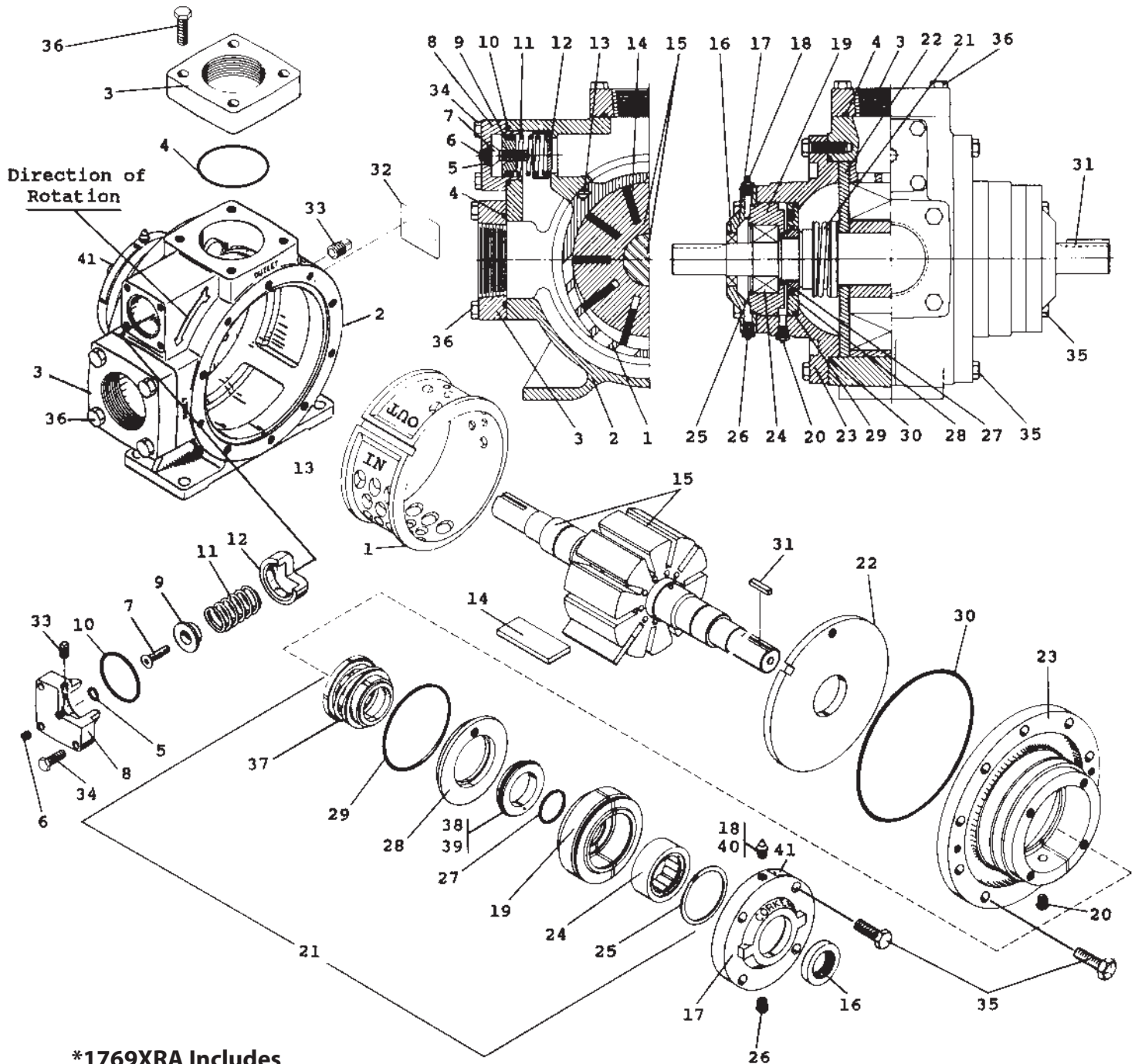
Part No.	Description
521E	Model 521 2" Bare Pump NH ₃ -LP
1021E	Model 1021 3" Bare Pump NH ₃ -LP
103-107-215T	Baseplate Assy. 1021 3" Pump
2904-X2	Repair Kit – 521/522 2" Pump NH ₃ -LP
2906-X2	Repair Kit – 1021/1022 2" Pump NH ₃ -LP
2907-X3	Repair Kit – 1521/1522 4" Pump NH ₃ -LP
1769-XRA	Seal Assy. NH ₃ -LP
140740	Grease Seal NH ₃ -LP
2754-X	Roller Bearing NH ₃ -LP
1308-9	Vanes – 10 required price ea. NH ₃ -LP
2-245A	"O" Ring – Flange NH ₃ -LP
2-268A	"O" Ring – Case NH ₃ -LP
1201-2	Cam-Liner NH ₃ -LP

103-107-215T Baseplate Assembly is for 3" 1021E pump. It comes with base, guards, v-belts and sheaves less motor. It will accept 7 1/2 or 10 horsepower motor.

Corken Pump Repair Parts

CORKEN PART DETAILS

Coro-Vane Pumps. Models 521, 522, 1021, 1022, S/N CT115372 and later obsolete models 321, 322.

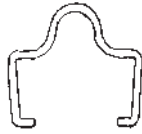


***1769XRA Includes
Nos. 27, 29, 37, 38 and 39.**

CNH Parts & CNH Wing Extensions

Hose Clips

Part No.	Description
22510801	1 1/4" Shank
22510803	1" x 2" Shank



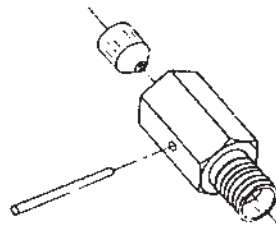
Stroke Control Kit

Part No.	Description
25800010	1 1/4" Dia. Rod



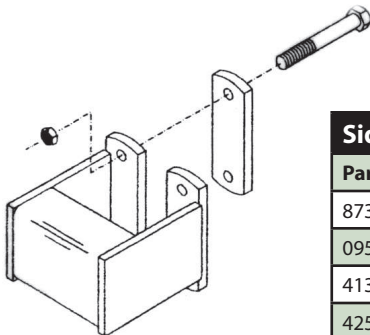
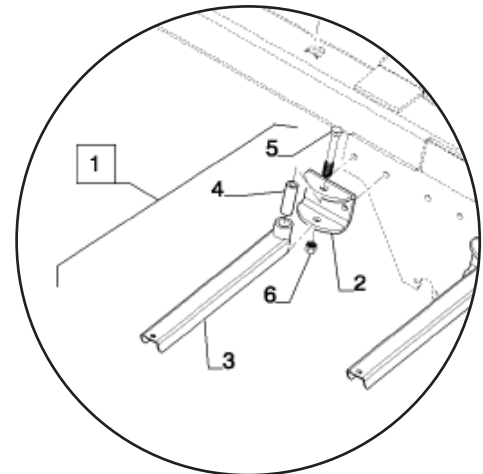
Throttle

Part No.	Description
25405003	Purple Throttle Valve-NPT
25405009	Yellow Throttle Valve-SAE



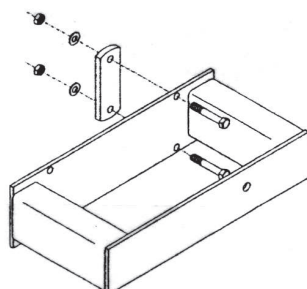
Safety-Swing Quick Coupler with Regulator Stand

Ref No.	Part No.	Description
1	04660300	MOUNTING PARTS
2	04660320	BAR ASSY.
3	04660330	CHANNEL
4	04660340	TUBE
5	280120	BOLT
6	86992217	LOCK NUT



Sidedress Bracket

Part No.	Description
87339126	Bracket
09576757	Strap
413-14104	Bolt
425-1014	Nut

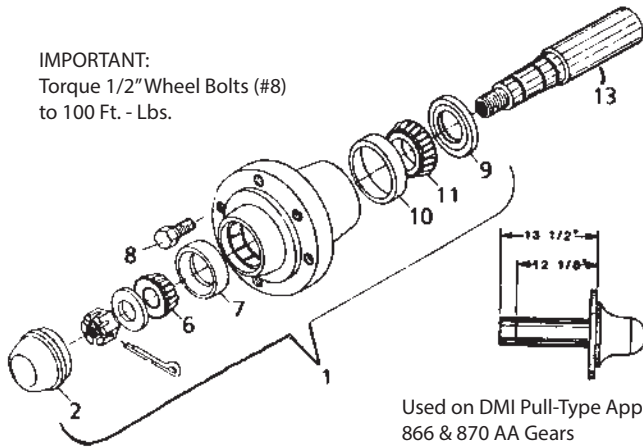


Extension Wings

Part No.	Description
87338702	15" Wing Extension (Single, Less Hardware)
87339130	28" Wing Extension (Single, Less Hardware)
P5430428	28" Wing Extension (Pair, with Hardware)

CNH Hub & Spindle Assemblies

IMPORTANT:
Torque 1/2" Wheel Bolts (#8)
to 100 Ft. - Lbs.



Used on DMI Pull-Type Applicators,
866 & 870 AA Gears

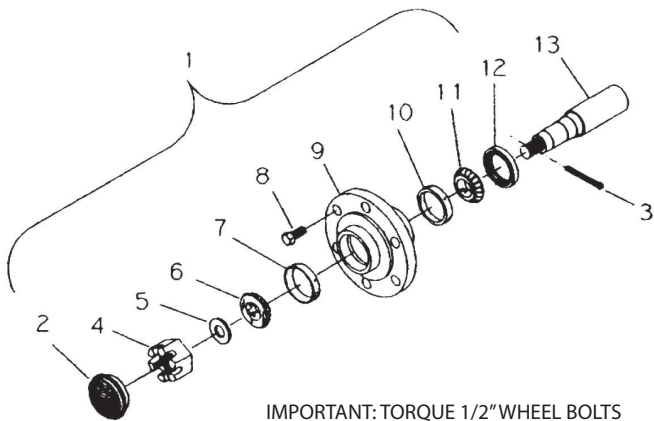
Q 888 6-Bolt

Ref No.	Part No.	Description
1	28188800	Q-888 Hub Assembly
2	28477700	Hub Cap
6	21871250	1.25 Bore Cone (Tim.#LM67048)
7	21882330	2.33 OD Cup (Tim.#LM67010)
8	198056	1/2" x 1 15/32" Lug Bolt
9	21931630	1.63 ID x 2.57 OD Seal (CR#16289)
10	61801C1	2.48 OD Cup (Tim.#JL69310)
11	21871496	1.50 Bore Cone (Tim.#JL69349)
12	28088801	Hub & Spindle Assembly (12 1/8")
	28088802	Hub & Spindle Assembly (13 1/2")
13	28388801	Spindle

783 6-Bolt

Used on Model 3300 Single and Tandem Spindle Arm Assemblies. Models 4250, 4300, 5250, and 5300 Wing Single Gauge Wheel Assemblies and Model 5300 Main Frame and Wing Walking Axle Assemblies.

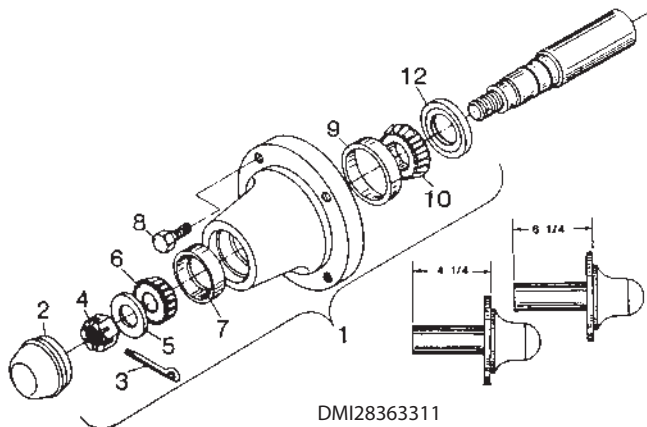
Ref No.	Part No.	Description
	28078372	Hub and 1 7/8" Spindle Assembly
	28078361	Hub and 2 1/2" Spindle Assembly
1	28178300	783 6-Bolt Hub Assembly
2	28477700	Hub Cap
3	432-1024	5/32" x 1 1/2" Cotter Pin
4	425-1314	7/8" NF Slotted Nut
5	495-61094	7/8" Washer 2" O.D.
6	21871250	1.25 Bore Cone - Timken #LM67048
7	21882330	2.33" O.D. Cup - Timken #LM67010
8	198056	1/2" NF x 1 15/32" Lug Bolt
9	28278300	Hub with cups
10	21882890	2.89" O.D. Cup - Timken #LM501310
11	21871630	1.625" Bore Cone - Timken #LM501349
12	21931870	1.875" I.D. x 3.005" O.D. Seal - CR #18823
	145769C91	Seal 940
13	28378371	1.875" Spindle
	28378361	2 1/2" Spindle
	84241414	Spindle 940



**IMPORTANT: TORQUE 1/2" WHEEL BOLTS
TO 100 FT.-LBS.**

633 Hub & Spindle Assembly

Ref No.	Part No.	Qty. No.	Description
1	28163300	1	633 4-Bolt Hub Assy. w/Tapered Lub Bolts
	28163311	1	633 4-Bolt Hub Assy. w/Flat Head Bolts
2	28463300	1	Hub Cap
3	432-1024	1	5/32" x 1 3/8" Cotter Pin
4	425-1312	1	3/4" NF Slotted Nut
5	495-11081	1	3/4" XAE Washer
6	21870750	1	.75 Bore Cone Timken #LM11949
7	21881780	1	1.78 OD Cup Timken #LM11910
	414-820	4	1/2" x 1 1/4" NF Flat Head Bolt
9	21882330	1	2.33 OD Cup Timken #LM67010
10	21871250	1	1.25 Bore Cone Timken #LM67048
	2816331	1	Hub (4 1/4")
12	21931501	1	1.50 ID x 2.33 OD Seal CR#1499975
13	28363331	1	Spindle



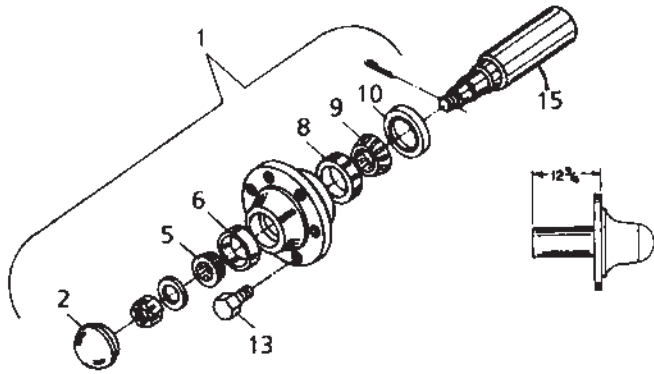
DMI28363311

NSI - Not A Service Item

CNH Hub & Spindle Assemblies

Q 803 6-Bolt

Used on Pull Type Applicators



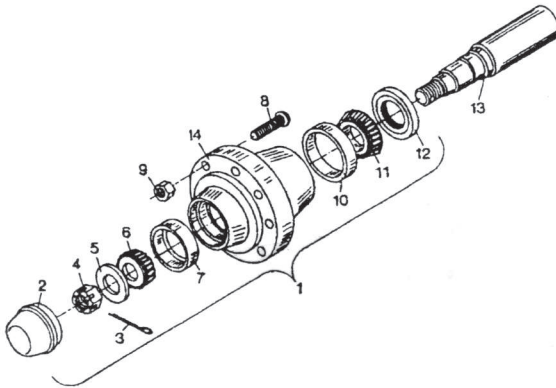
IMPORTANT:

Torque 9/16" Wheel Bolts (#13) to 150 Ft. - Lbs.

Ref. No.	Part No.	Description
1	28180300	Q-803 Hub Assembly
2	87449447	Hub Cap
5	560953R91	1.37 Bore Cone (Tim.#25877)
6	86516462	2.87 Cup (Tim.#25821)
8	86900365	3.270 Cup (Tim.#25520)
9	300426R91	1.800 Bore Cone (Tim.#25590)
10	491715R9	2.00 ID x 3.625 OD Seal (CR#521430)
13	16409053	5/16" NF x 1 1/8" Lug Bolt
	16409093	5/16" NF x 2 1/8" Drive In Bolt
15	28377801	Spindle (Q-803 & Q-813)

50-8 Hub & Spindle

Used on 4300 and 5300 Main Frame H.D. Single Assembly and Model 5300 Main Frame Walking Axle Assembly.

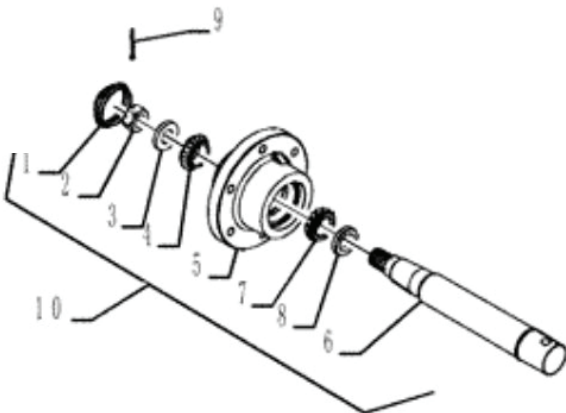


IMPORTANT: Torque 1/2" Wheel Bolts (#8) to 100 Ft.-Lbs.

Ref No.	Part No.	Description
	28050885	50-8 Hub and Spindle Assembly
1	28150800	50-8 8-Bolt Hub Assembly
2	560950R1	Hub Cap
3	432-1232	3/16" x 2" Cotter Pin
4	425-1316	1" NF Slotted Nut
5	87367	1" SAE Washer
6	21871630	1.62" Bore Cone - Timken #LM501349
7	21882890	2.89" O.D. Cup - Timken #LM501310
8	366021R2	5/8" NF x 2 1/4" Wheel Bolt
9	554480R1	5/8" NF Wheel Nut
10	199955	3.22" O.D. Cup - Timken #JLM104910
11	21872005	2.00" O.D. Bore Cone - Timken #LM104948
12	21932502	2.50" I.D. x 3.25" O.D. Seal - CR #24909
13	28350805	Spindle

940 - 783 Hub & Spindle

Used on 940 Wing Walking Axle Assembly.



Ref No.	Part No.	Description
1	28477700	Hub Cap
2	84151573	Nut
3	17915000	Washer
4	651818R91	Roller Bearing, 31.77 mm ID x 16.8mm
5	28278300	Hub
6	84241414	Spindle
7	663557R91	Bearing Assy, 1.625: ID x 2.892" OD x 0.77"
8	145769C91	Oil Seal
9	88350	Cotter Pin, 5/32" x 1 1/2"
10	84296783	Hub Assembly